



**VARIABLE  
MESSAGE  
LED SIGNS**

**INTRODUCING OUR NEW RANGE  
OF PORTABLE, SOLAR POWERED,  
5-COLOUR LED VARIABLE  
MESSAGE SIGNS (VMS)**

**VMS HIRE.ie**  
**ROAD SIGN HIRE**

Introducing the unique range of 5-colour variable message signs from FSL Electronics. These innovative signs are manufactured in Ireland and use state-of-the-art signage technology, making them ideal for traffic, site and event management, advertising and many other applications.

IN COLLABORATION WITH

**OPTRAFFIC®**

**NUGENT**

## SPECIFICATIONS

- ☑ OPTRAFFIC Web System Remote Access & OPTRAFFIC 3G/4G Controller
- ☑ Ultra-Bright LED's - 5 Colours (Amber, Red, Blue, Green, White)
- ☑ Brightness Control: manual & automatic
- ☑ Trailer manufactured in the UK by Nugent Engineering
- ☑ SMS Alert System (Low Battery and Movement Detection)
- ☑ **4x 160AH Gel Battery**
- ☑ Extendable outrigger jack stands for added stability
- ☑ Vandal proof battery & control box
- ☑ External 230V AC Mains Battery Charger
- ☑ 40A 12V MPPT Solar Charge Controller
- ☑ Hot Galvanised Steel, Anti-UV Surface Powder Coating
- ☑ Hydraulic mast lifting system allows one person to easily raise and lower the Screen
- ☑ IP54 rated
- ☑ Locking chains to secure the trailers location
- ☑ **2 Years Warranty on all parts**

Utilising the latest LED technology & supported by engineering expertise, our trailer-mounted portable message signs are versatile, easily transportable and provide "real time" information to motorists and pedestrians. They can be operated remotely, allowing you to change messages from anywhere.



**SOLAR  
POWERED**



**MULTIPLE CONTROL  
OPTIONS**



**ELECTRICAL SAFETY  
FEATURES INCLUDED**



**GPS LOCATION  
TRACKING**



### Screen Size:

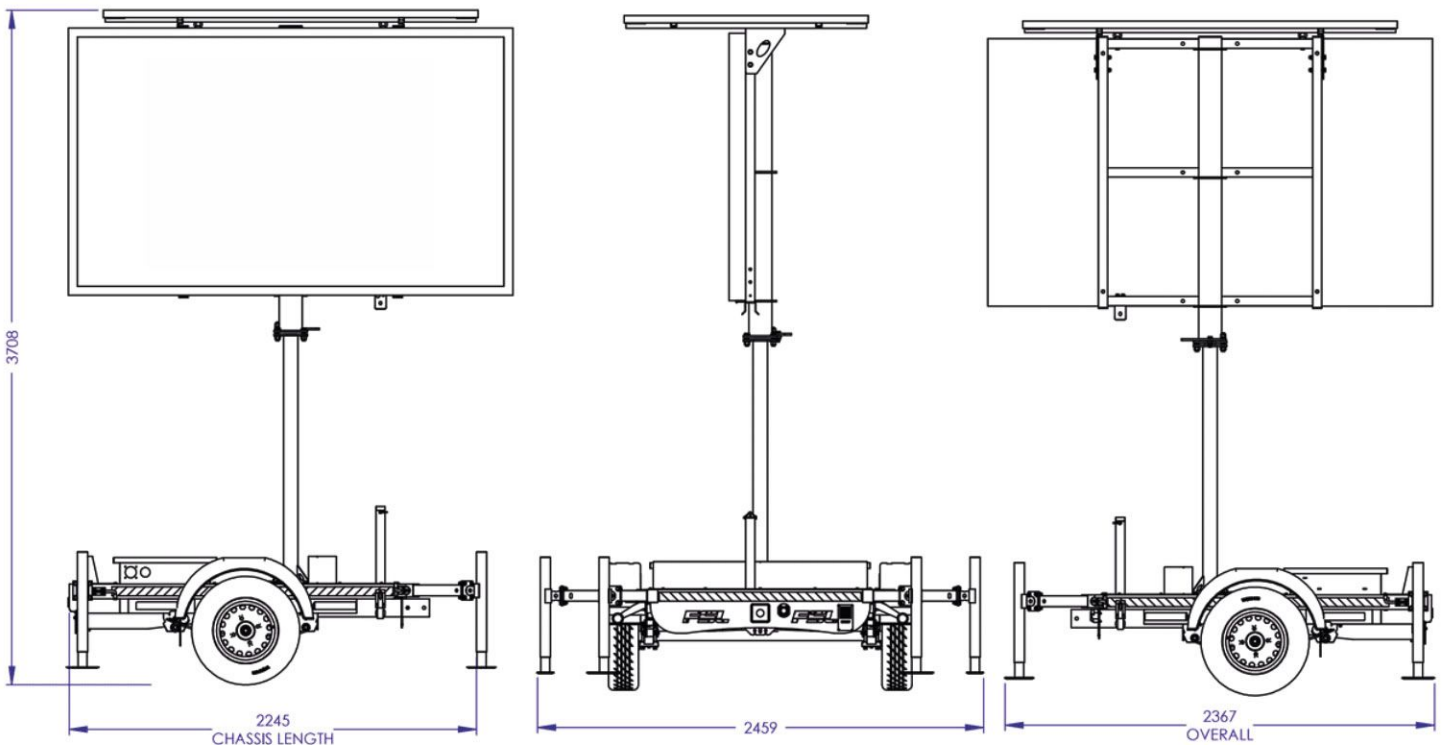
- 2450mm x 1470mm x 140mm (40mm pitch)  
Viewing distance 40-60 MPH road

### Batteries:

- 4x 12V 160AH Gel Batteries

### Solar Panels:

- 3x 150W Solar Panels



## TRAILER SPECIFICATION

- ☑ Nugent patented Dual Drive™ suspension
- ☑ Full type approval (ECWVTA) logo attached
- ☑ 185/70R13 wheels
- ☑ Knott coupling
- ☑ HD jockey wheel
- ☑ LED lights – dual voltage



With an industry leading user Interface, the VMS online portal can be used to update & monitor your VMS display remote, from any location and from any internet enabled device. This easy to use and feature packed Web-based VMS software will guarantee user-friendly experience. Some

- ☑ Real-time device status, GPS tracking and SMS alert system
- ☑ Full remote control via phone/laptop/tablet/computer
- ☑ Light Sensor (Auto dimming system) & Temperature Sensor
- ☑ Optional Radar (Overspeed detecting and warning)
- ☑ Unlimited Display messages
- ☑ OPT local control software for on-site programming with tablet/laptop

## ELECTRICAL SAFETY FEATURES

- ✂ PV short circuit-protection
- ✂ PV overvoltage alarm protection
- ✂ PV current limiting protection
- ✂ PV reverse polarity protection
- ✂ Battery overcharge protection
- ✂ Battery over discharge protection
- ✂ Battery reverse polarity protection
- ✂ Load overload protection
- ✂ Load short circuit protection
- ✂ Overheating protection

## OPTIONAL EXTRASCERTIFICATION

- ☑ On-site wireless tablet
- ☑ Radar
- ☑ Solar tilt



Vehicle  
Certification  
Agency

