

Monocrystalline Solar PV Module

72 Cells, 180W

The main features



+3W

Power and tolerance

0~+3W positive power tolerance guarantee

Anti PID

Resistance to the PID

Harsh conditions for 96 hours testing qualified (@ 85 °C / 85%).For special severity installation environment, can meet higher standards

**6000
3600**

Stronger surface resistance to mechanical loads

It has passed the certification of 6000Pa snow load and 3600Pa wind load

High reliability and weather resistance

High reliability and weather resistance

Through dust, salt fog, ammonia corrosion test,can effectively deal with the harsh environment

The hail test

The hail test

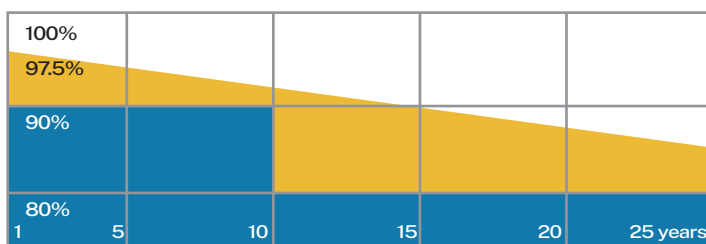
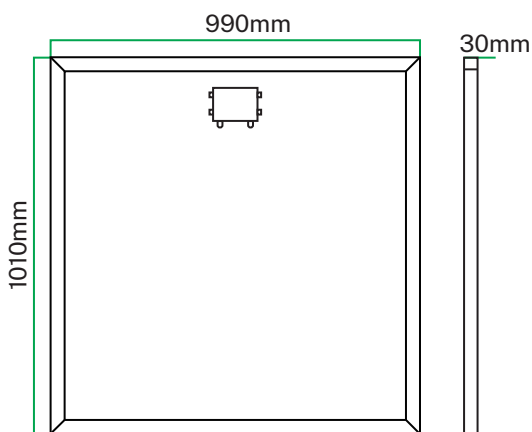
It passed the hail test with a diameter of 45mm and a speed of 30.7m/s

Lower temperature coefficient

Lower temperature coefficient

Better temperature coefficient makes the power attenuation less at high temperature

Best quality assurance



Shine Solar linear power output warranty

Industry quality assurance

12

12 years of product material and process quality assurance

25

25 years linear power output warranty



Product information

Monocrystalline 180W

Monocrystalline 180W	
MODEL	SN-M180
Maximum Power/Pmax(Wp)	180
Optimum Operating Voltage/Vmp(V)	36
Optimum Operating Current/Imp(A)	5
Open Circuit Voltage/Voc(V)	43.2
Short Circuit Current/IsC(A)	5.5
Cell Efficiency	20.55%
Module Efficiency	18.00%
Power Tolerance	0~+3W
Maximum Series Fuse Rating(A)	15A
Maximum System Voltage	1000VDC

Maximum Data

Maximum Data		
Operating Module Temperature	-40°C to +80°C	°C
Storage Temperature	From -40°C to +80°C	°C
Insulation Cut Voltage	1000	DC
Maximum Wind Resistance	60m/s	N/m ² or max KM/h
Surface Maximum Load Capacity	200	Kg/m ²
Maximum Hail Load Capacity	5mm	80km/h

Mechanical Characteristics

Mechanical Characteristics	
Number of cells	72(6*12)
Cell Dimension(mm)	156*78
Dimension(mm)	1010*990*30
Weight(Kg)	11.5
Frame Material	Clear anodized aluminium frame
Thickness of Glass	3.2mm tempered glass
Frame	Anodized aluminum alloy
Laminating Material	EVA (Light transmittance more than 92%)
Backsheet Material	TPT (High weather resistance)
Junction Box	Ip65 (1500V system voltage available)
Output cable	90cm 2x4.0mm ² MC4 connector
Bus Bar	5BB 6BB

Temperature Characteristics

Temperature Characteristics	
Nominal Operating Cell Temperature(NOTC)	45±2°C
Temperature Coefficient of Pmax	-0.37%/°C
Temperature Coefficient of Voc	-0.29%/°C
Temperature Coefficient of Isc	-0.048%/°C

STC

STC	
AM Condition	AM1.5
Irradiance conditions	1000W/m ²
Temperature Cell	25°C

Caution: The Installation, Operation and cleaning should be done by professional skills and qualified engineers. Please read the datasheet and Operation manual carefully before installing and Operating the PV modules.