



THE SPARTHERM COLLECTION

USA / CANADA EDITION

The fire of your life.



SPARTHERM® - THE FIRE COMPANY

Quality

From the start in 1986, our philosophy has always been developing fireplaces that feature designs and techniques never seen before. Spartherm units are designed and manufactured to the highest standards possible, using only the best materials - the result are products striving for perfection in terms of contemporary design and longevity.

Safety

Besides being a pioneer in innovation and functionality, our main concern is your safety. Therefore we meticulously take care about the security of all our products. Countless hours of testing, special safety features and reliable components ensure that our products meet the highest standards possible.

Customers

The fact that in only 35 years our company grew to one of the leading players in the fireplace industry with over 1000 employees didn't change our values at all – building close, sustainable relationships with all our customers worldwide. And since we are a family-based business, we know our roots and hold on to these values, because they made us what we are today.

Service

We pride ourselves on the best service to back up our world class products. Reliable aftersales service and the availability of spares and advise are a important part of the customer satisfaction.



Fireplaces



EPA approved models

CONTENT

PAGE

Spartherm® - The Fire Company	2
Fireplaces	6
Technical Data	18
EPA approved models	30
Technical Data	40

NOTICE:
Color deviations are possible due to printing technology.
Color and technical changes as well as errors excepted.

Refractories eboris 1300 ultra black



VARIA

Straight

Variants:

Varia Bh

Varia M-80h

Varia M-100h

from page 6

Double sided

Variant:

Varia B-FDh

from page 10

L-shaped

Variants:

Varia 2R-80h

Varia 2L-80h

Varia 2R-100h

Varia 2L-100h

from page 12

ARTE

U-shaped

Variants:

Arte 3RL-60h

Arte 3RL-80h

Arte 3RL-100h

Arte U-50h

Arte U-70h

Arte U-90h

from page 14

VARIA



Clear shapes –
absolutely linear



Varia Bh



Varia M-80h

VARIA



Freedom all
along the line



Varia M-100h

VARIA



Great view of the fire
from both sides



Varia B-FDh

VARIA



Perspectives for the fire



Varia 2R-80h



Varia 2R-100h



Varia 2L-100h

ARTE



Appealing to the emotions
from any angle



Arte 3RL-60h



Arte 3RL-80h



Arte 3RL-100h

ARTE



Playing with size
and strength



Arte U-90h

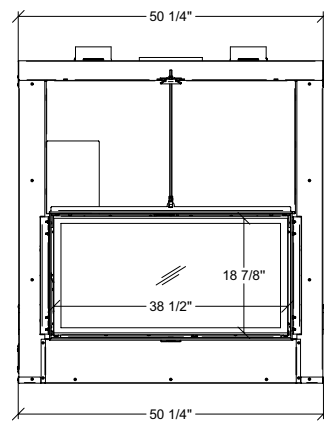


Arte U-50h

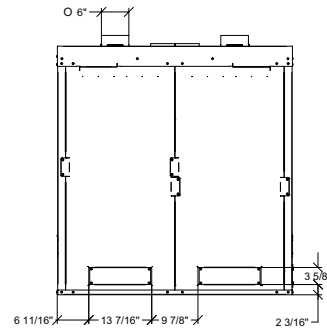


Arte U-70h

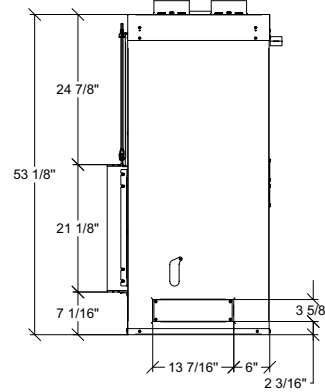
Varia Bh



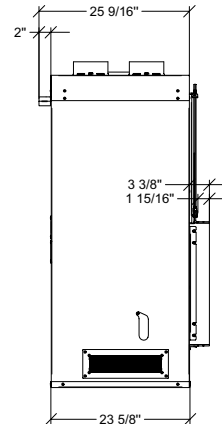
Front view



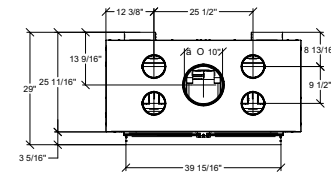
Back view



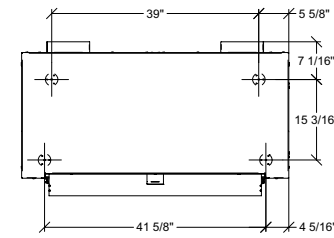
Side view left



Side view right

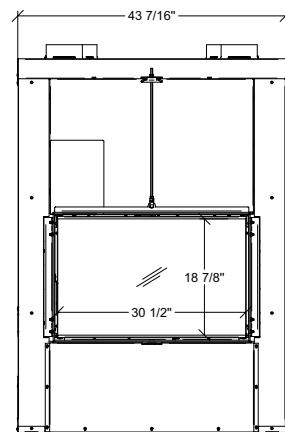


Top view

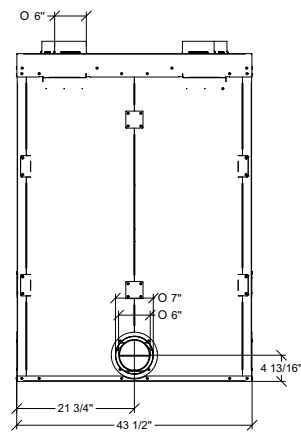


Bottom view

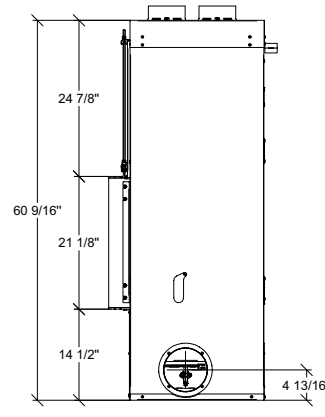
Varia M-80h



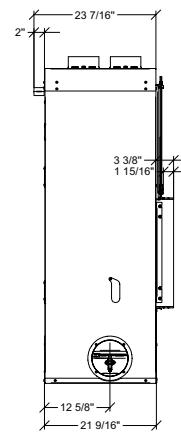
Front view



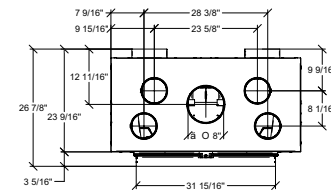
Back view



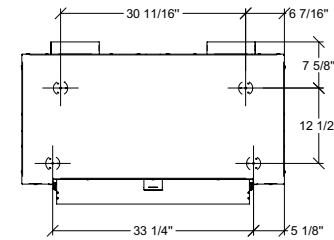
Side view left



Side view right

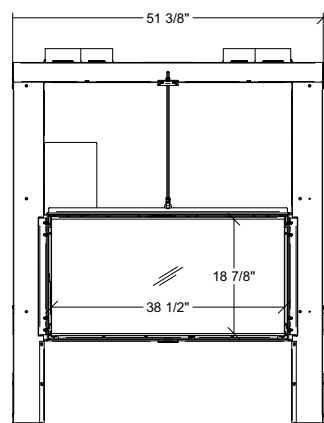


Top view

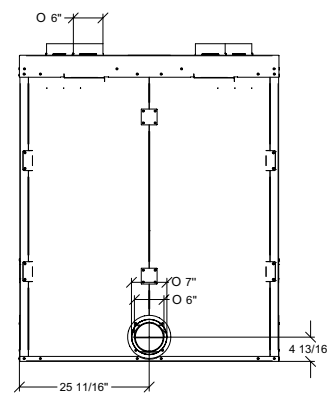


Bottom view

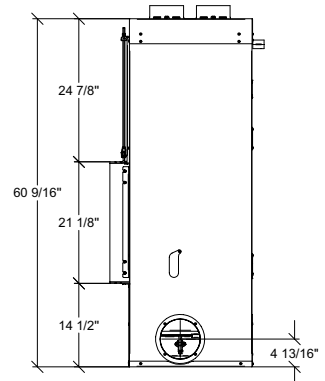
Varia M-100h



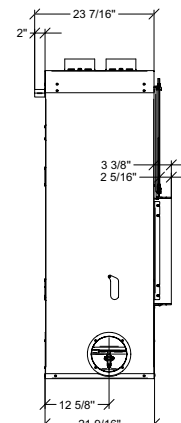
Front view



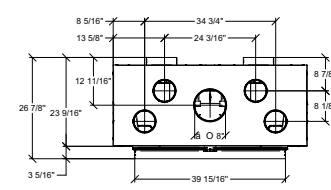
Back view



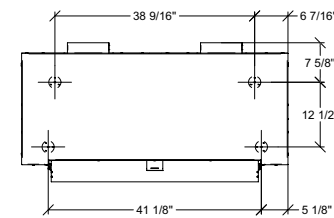
Side view left



Side view right

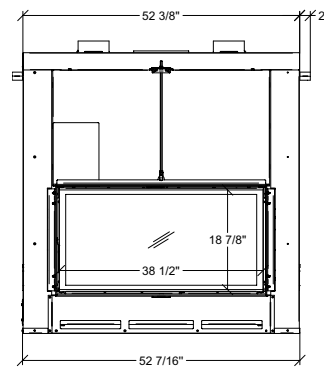


Top view

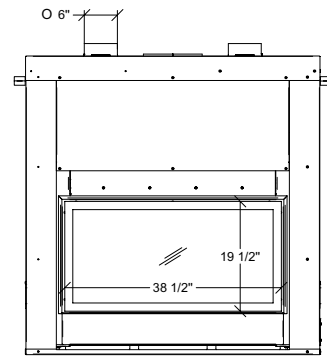


Bottom view

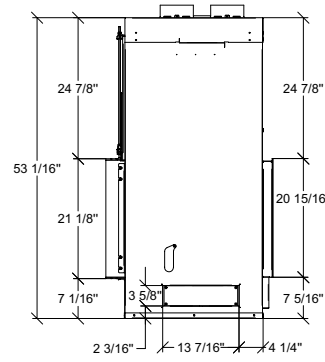
Varia B-FDh



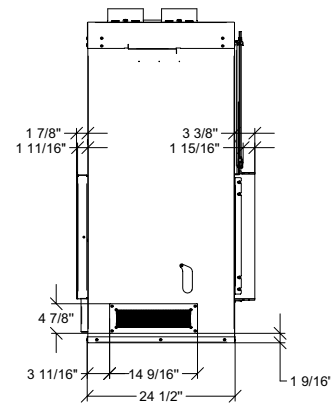
Front view



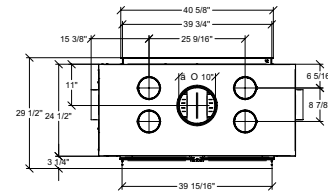
Back view



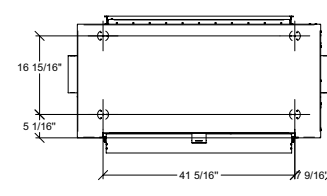
Side view left



Side view right

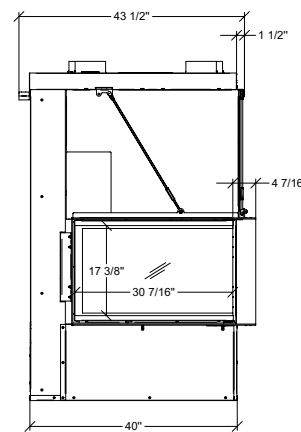


Top view

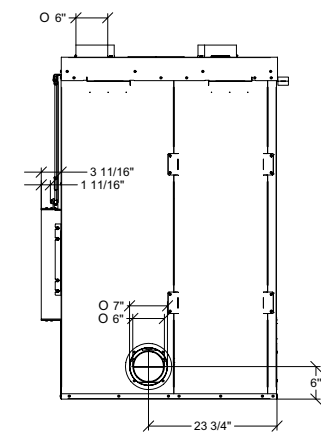


Bottom view

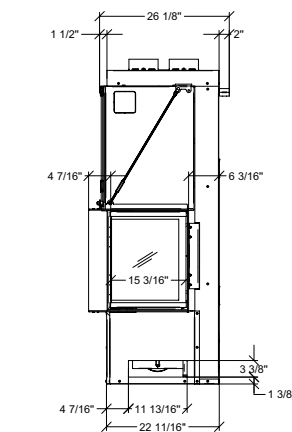
Varia 2R-80h



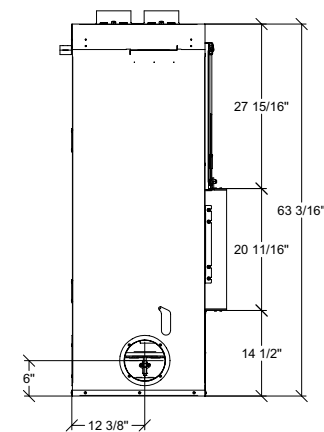
Front view



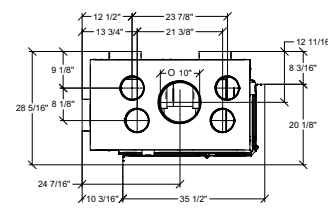
Back view



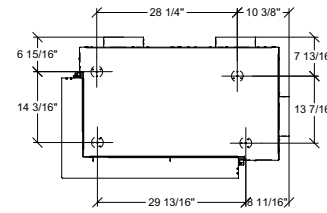
Side view left



Side view right

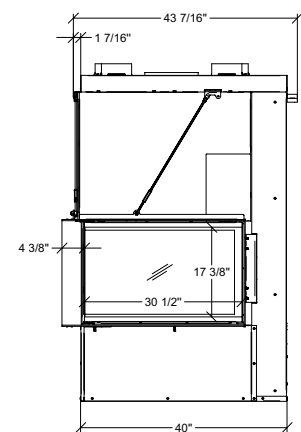


Top view

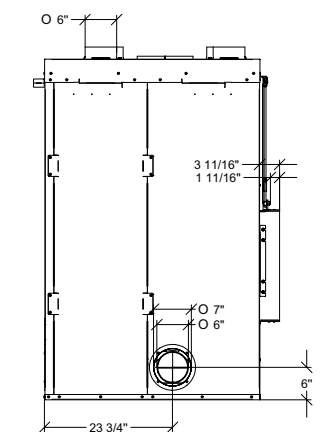


Bottom view

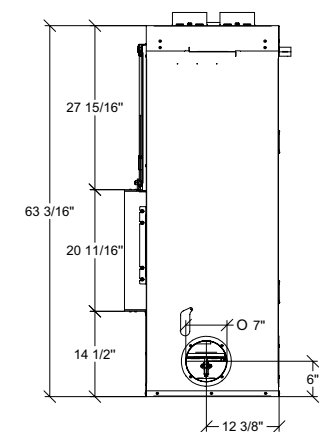
Varia 2L-80h



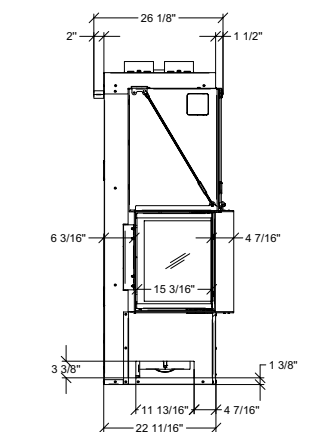
Front view



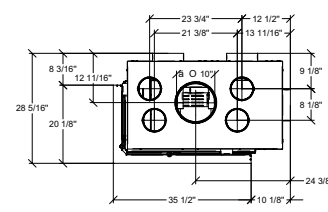
Back view



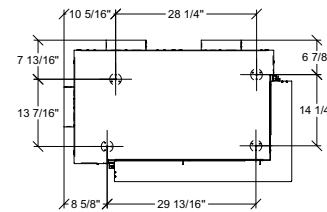
Side view left



Side view right

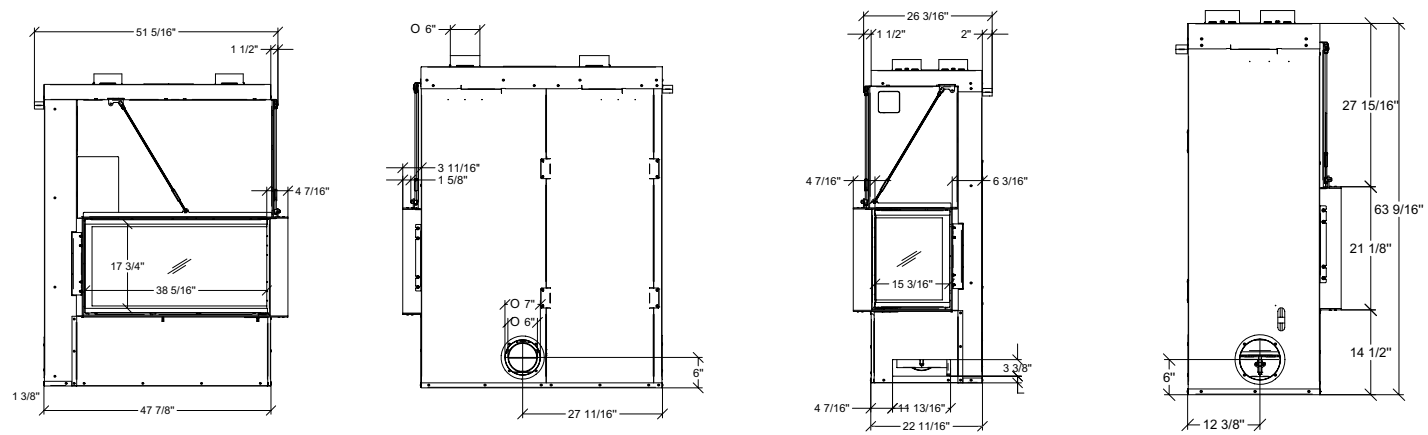


Top view



Bottom view

Varia 2R-100h

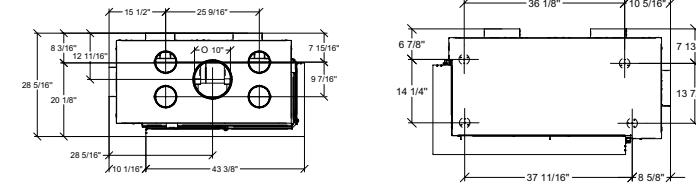


Front view

Back view

Side view left

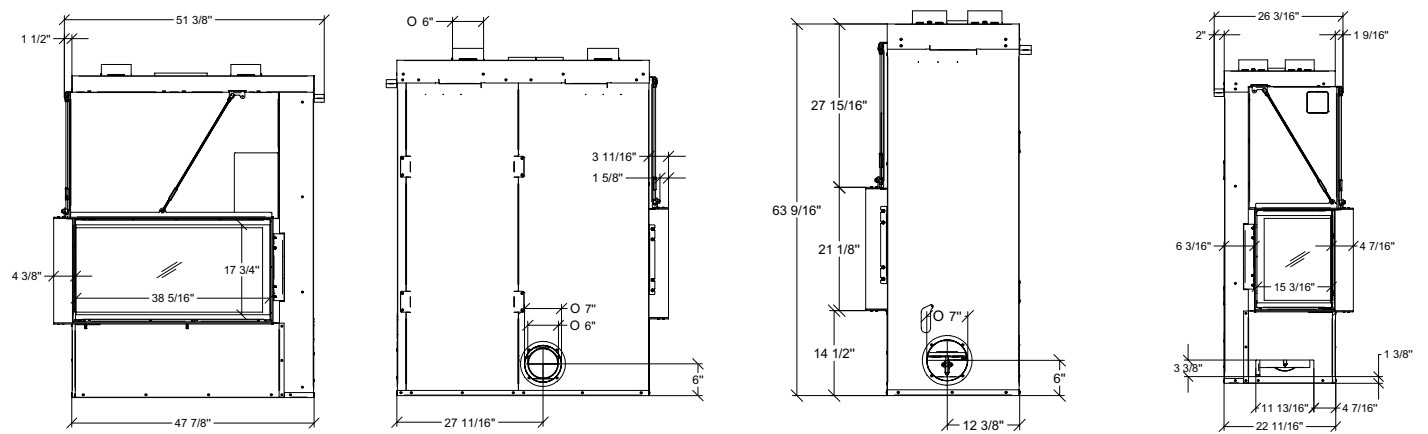
Side view right



Top view

Bottom view

Varia 2L-100h

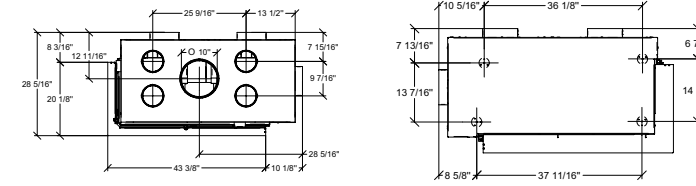


Front view

Back view

Side view left

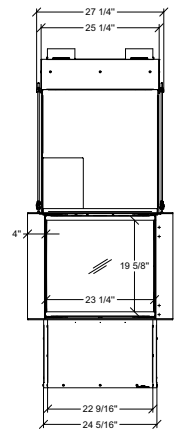
Side view right



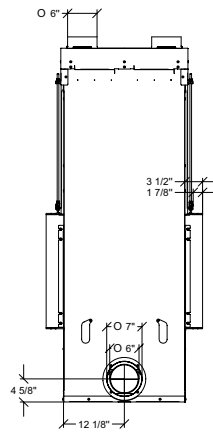
Top view

Bottom view

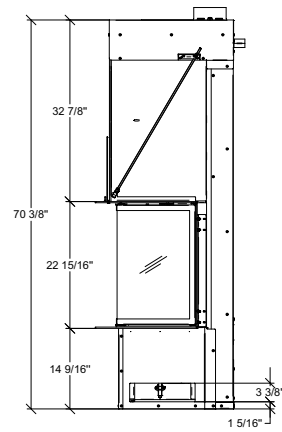
Arte 3RL-60h



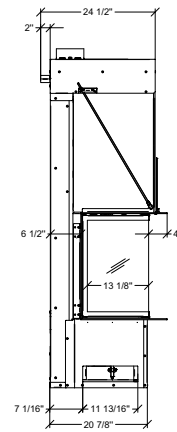
Front view



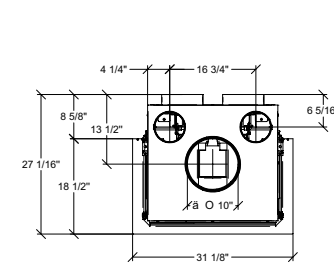
Back view



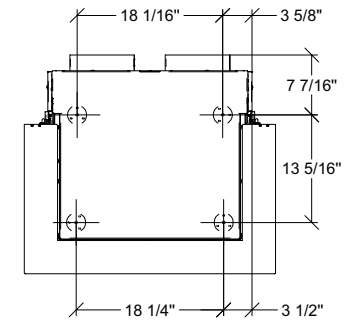
Side view left



Side view right

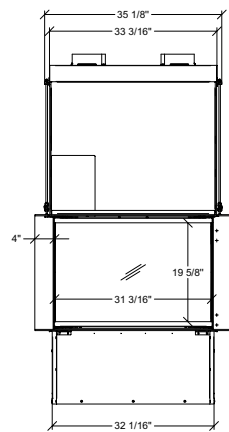


Top view

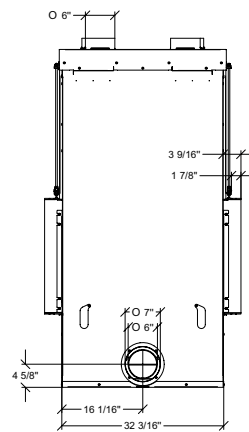


Bottom view

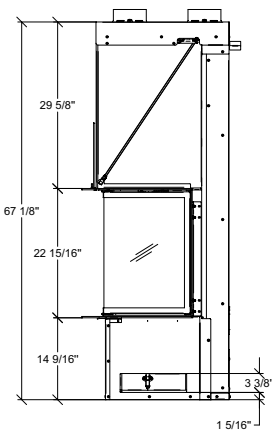
Arte 3RL-80h



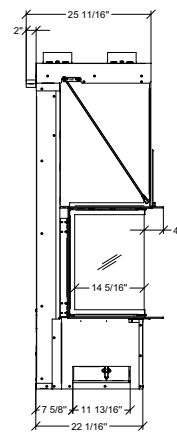
Front view



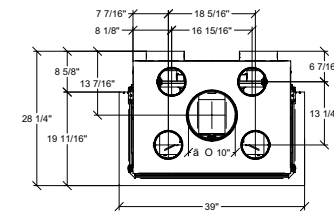
Back view



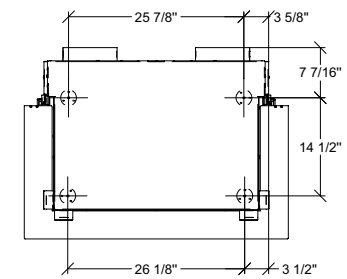
Side view left



Side view right

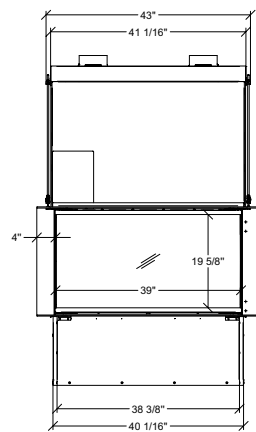


Top view

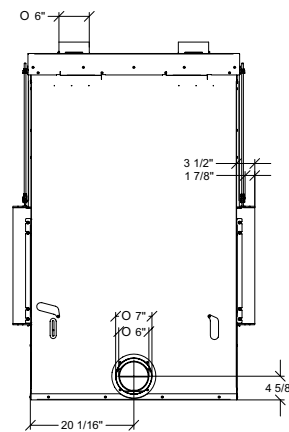


Bottom view

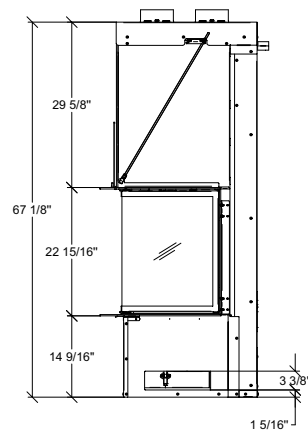
Arte 3RL-100h



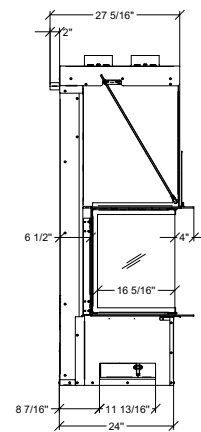
Front view



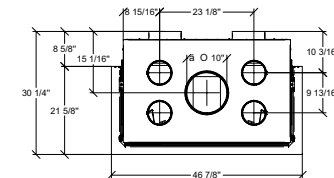
Back view



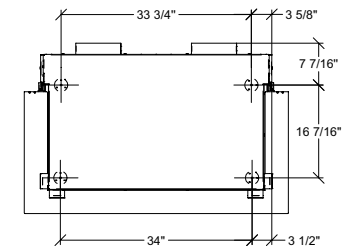
Side view left



Side view right

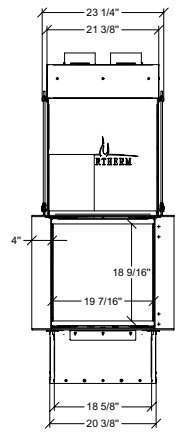


Top view

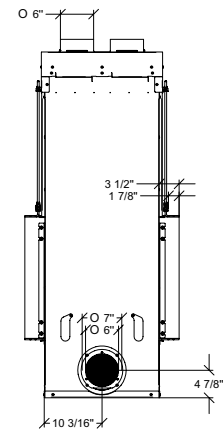


Bottom view

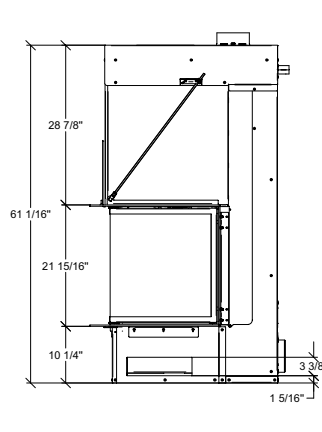
Arte U-50h



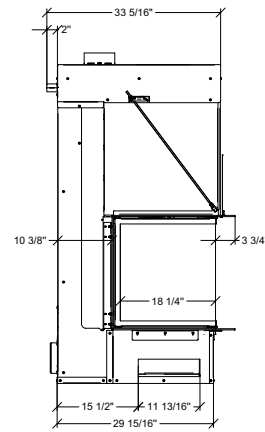
Front view



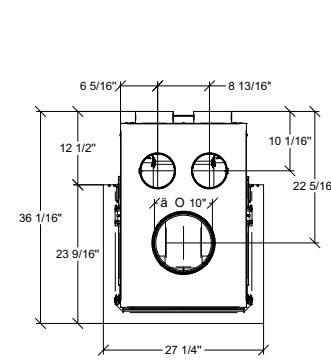
Back view



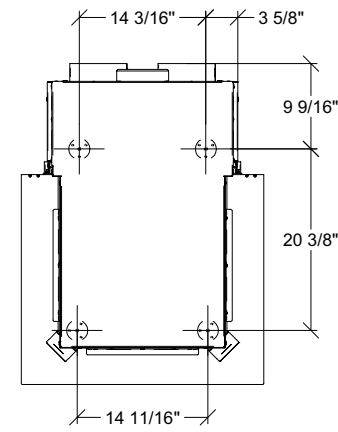
Side view left



Side view right

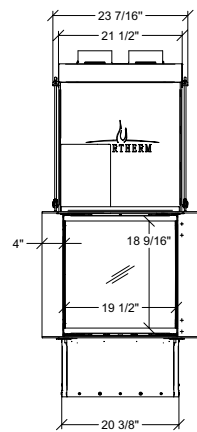


Top view

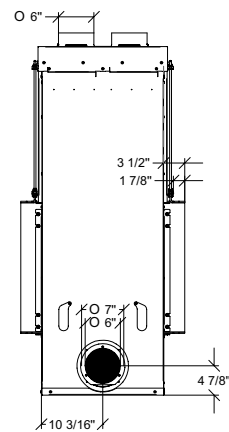


Bottom view

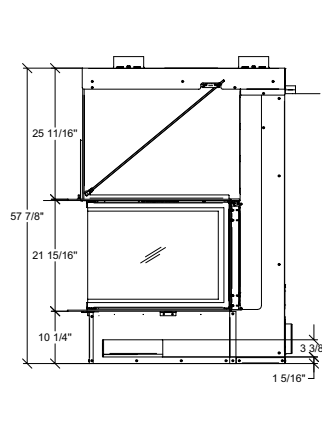
Arte U-70h



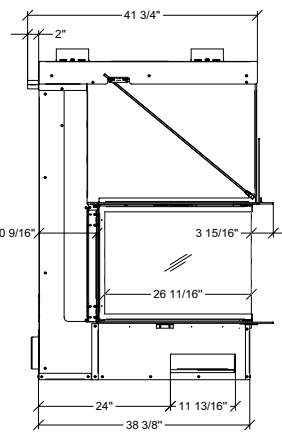
Front view



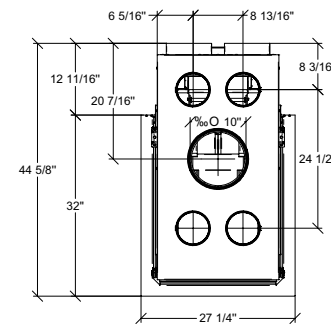
Back view



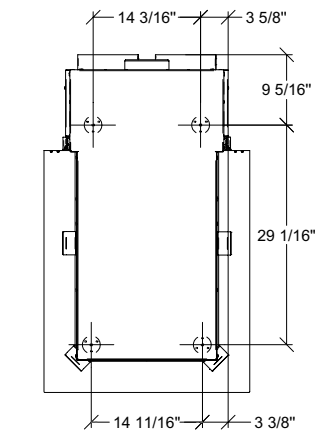
Side view left



Side view right

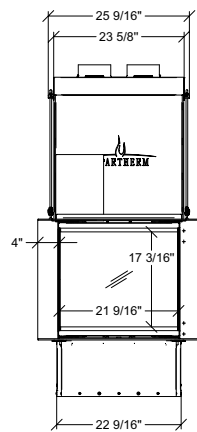


Top view

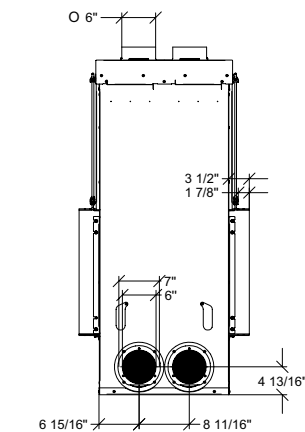


Bottom view

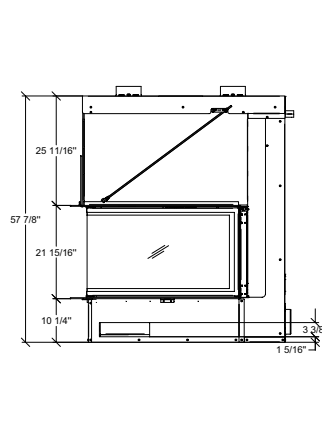
Arte U-90h



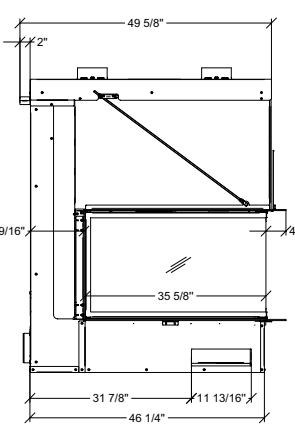
Front view



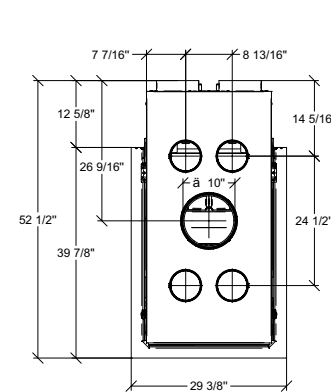
Back view



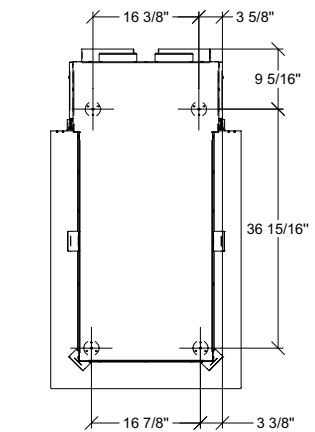
Side view left



Side view right



Top view



Bottom view

SPECIFICATIONS

Appliance	Hearth volume cu.ft.	Minimum power	Maximum power	Efficiency*	Chimney diameter inch	Unit weight	Recommended log size	Door dimensions W x H x D in inch (mm)
Varia Bh	4.28 ft ³	25000 BTU	46000 BTU	≥78 %	10"	772 lbs	20" (508 mm)	39-9/16" x 19-11/16" (1006 x 500 mm)
Varia M-80h	3.50 ft ³	21500 BTU	40000 BTU	≥78 %	8"	662 lbs	20" (330 mm)	31-9/16" x 19-11/16" (802 x 500 mm)
Varia M-100h	4.11 ft ³	26000 BTU	49000 BTU	≥78 %	8"	772 lbs	20" (508 mm)	38-9/16" x 19-11/16" (980 x 500 mm)
Varia 2R-80h / Varia 2L-80h	4.14 ft ³	25000 BTU	46000 BTU	≥80 %	10"	606 lbs	18" (457 mm)	30-1/2" x 19-3/8" x 15-1/8" (775 x 492 x 385 mm)
Varia 2R-100h / Varia 2L-100h	4.16 ft ³	26500 BTU	49000 BTU	≥78 %	10"	617 lbs	20" (508 mm)	30-1/2" x 19-3/8" x 15-1/8" (975 x 502 x 385 mm)
Varia B-FDh	6.83 ft ³	26500 BTU	49000 BTU	≥78 %	10"	772 lbs	18" (457 mm)	Front 39-9/16" x 19-11/16" (1006 x 500 mm)
								Back 39-3/4" x 19-11/16" (1010 x 500 mm)
Arte 3RL-60h	2.71 ft ³	19000 BTU	33500 BTU	≥80 %	10"	551 lbs	18" (457 mm)	23-5/8" x 21-11/16" x 14-1/2" (600 x 550 x 370 mm)
Arte 3RL-80h	4.38 ft ³	21500 BTU	40000 BTU	≥80 %	10"	617 lbs	18" (457 mm)	31-1/2" x 21-11/16" x 15-3/4" (800 x 550 x 400 mm)
Arte 3RL-100h	5.88 ft ³	26000 BTU	49000 BTU	≥78 %	10"	662 lbs	18" (457 mm)	39-3/8" x 21-11/16" x 17-11/16" (1000 x 550 x 450 mm)
Arte U-50h	2.67 ft ³	21500 BTU	40000 BTU	≥80 %	10"	529 lbs	18" (457 mm)	19-11/16" x 20-11/16" x 16-11/16" (501 x 525 x 499 mm)
Arte U-70h	3.94 ft ³	26000 BTU	49000 BTU	≥78 %	10"	827 lbs	18" (457 mm)	19-11/16" x 20-11/16" x 28" (501 x 525 x 713 mm)
Arte U-90h	6.10 ft ³	31000 BTU	57500 BTU	≥78 %	10"	1023 lbs	18" (457 mm)	21-11/16" x 20-11/16" x 36" (501 x 525 x 913 mm)

*efficiency results: as per formal european testing EN13229

Conversion factors

Inches to millimeters (mm): 1" = 25.4 mm
British Thermal Unit BTU/h to Watt: 1 BTU/h = 0.293 Watt

Kilogram to pound: 1 kg = 2.205 lb
Cubic meter to cubic feet: 1 m³ = 35.314 ft³

WOOD CONSUMED PER HOUR

Appliance	Wood consumed per hour
Varia Bh	4.9 - 9.3 lbs
Varia M-80h	4.2 - 7.9 lbs
Varia M-100h	5.3 - 9.7 lbs
Varia 2R-80h / Varia 2L-80h	4.9 - 9.0 lbs
Varia 2R-100h / Varia 2L-100h	5.1 - 9.7 lbs
Varia B-FDh	5.3 - 9.7 lbs
Arte 3RL-60h	3.3 - 6.2 lbs
Arte 3RL-80h	4.2 - 7.7 lbs
Arte 3RL-100h	5.3 - 9.7 lb
Arte U-50h	4.2 - 7.7 lbs
Arte U-70h	5.3 - 9.7 lbs
Arte U-90h	6.2 - 11.5 lbs

SPARTHHERM - The Fire Company

SPARTHHERM has been producing for years according to the highest quality standards and can therefore provide the quality seal as a guarantee for best materials and perfect workmanship.

All our appliances have been tested EPA decorative according to American and Canadian standards.



A FASCINATING INTERPLAY OF ELEMENTS.

A variety of options to suit your individual needs. Spartherm offers a new range of fireplaces to the North American market. The difference is the burning technology, the heat output, the nice and the cozy fire. A clear glass in combination with a smooth flame shows the more than 35 years experience in fire technology of Spartherm. Choose your style the technology runs throughout the range.



SPECIFICATIONS: INSERT / ZERO CLEARANCE / MODULE

	600 INS/ZC/STOVE	700 INS/ZC/STOVE	800 INS/ZC/STOVE
Tested EPA emission particular rate (2020)	1.67 g/hr	1.14 g/hr	1.30 g/hr
Air control options	Full air control	Full air control	Single setting burn rate
Min/Max output BTU	10,500 - 47,000 BTU	13,500 - 49,000 BTU	19,600-52,000 BTU
Chimney connection size	6"	6"	6"
Log size	18"	21"	21"
Chimney size	6"	6"	6"

Chimney type 6" by the standard: UL 103-HT or ULC S-629.
Complete range can be connected to outside combustion air- 5" connection.

CHOOSE YOUR FRAME TO FINISH THE INSTALLATION

AVAILABLE FRAME FINISHES

- 60 MM - 2 3/8"
- 80 MM - 3 1/8"
- 100 MM - 3 15/16"

Fireplace Insert



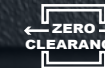
Standard

CHOOSE THE INSTALLATION OPTION THAT SUITS YOUR NEEDS!

- MASONRY INSERTS



- ZERO CLEARANCE FIREPLACES



- MODULAR FREESTANDING STOVES



ADJUSTABLE COMBUSTION AIR SETTING

PRE-SET COMBUSTION AIR SETTING



SPARTHHERM 600 INSERT



SPARTHHERM 700 INSERT



SPARTHHERM 800 INSERT



- separate combustion air inlet Ø 125 mm - 5"; orientation backward
- chimney connection 6"; orientation backward or upward
- adjustable leveling feet 10 - 20 mm
- swing door - hinged door
- fireplace lining: fireclay and vermiculite



- separate combustion air inlet Ø 125 mm - 5"; orientation backward
- chimney connection 6"; orientation backward or upward
- adjustable leveling feet 10 - 20 mm
- swing door - hinged door
- fireplace lining: fireclay and vermiculite



- separate combustion air inlet Ø 125 mm - 5"; orientation backward
- chimney connection 6"; orientation backward or upward
- adjustable leveling feet 10 - 20 mm
- swing door - hinged door
- fireplace lining: fireclay and vermiculite



MASONRY

MASONRY
INSERT



MODULAR

MODULAR
FREESTANDING
STOVE



MODULAR

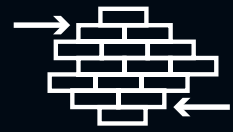
MODULAR
FREESTANDING
STOVE



ZERO CLEARANCE
FIREPLACE



MASONRY



MASONRY
MASONRY
INSERT



Spartherm-600-IN



Spartherm-700-IN

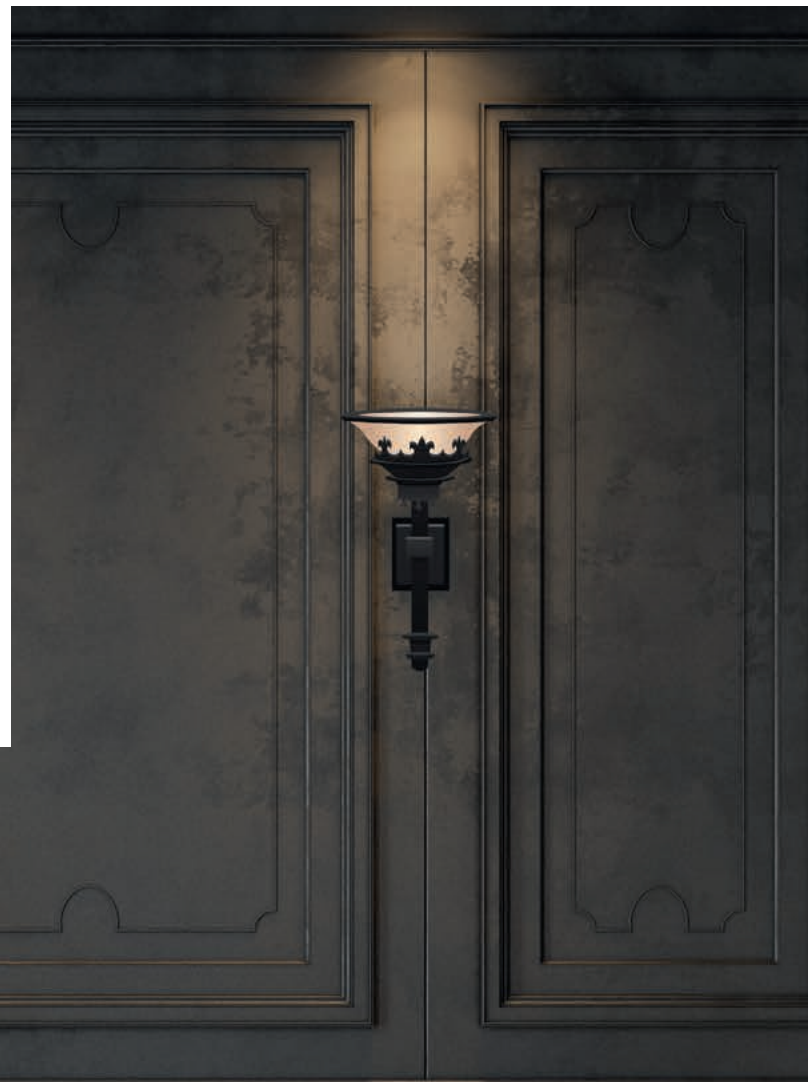


Spartherm-800-IN

ZERO CLEARANCE



ZERO CLEARANCE
FIREPLACE



Spartherm-600-ZC



Spartherm-700-ZC



Spartherm-800-ZC

MODULAR



MODULAR
MODULAR
FREESTANDING
STOVE



Spartherm-700-MO

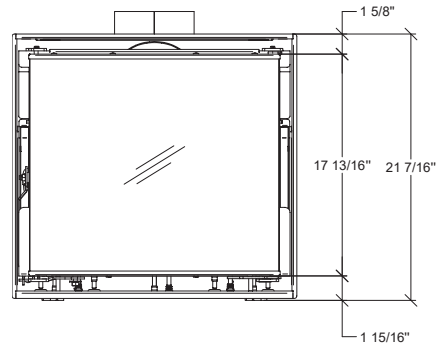


Spartherm-600-MO

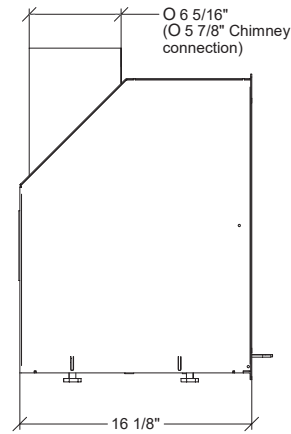


Spartherm-800-MO

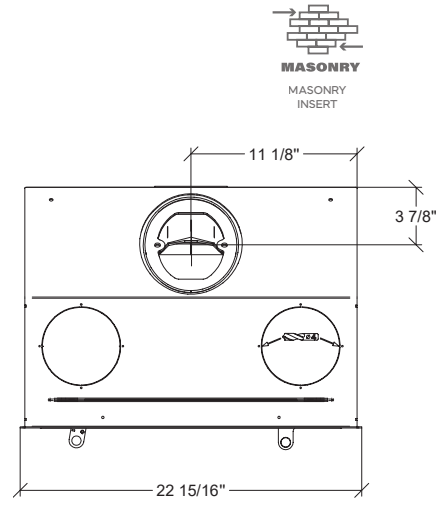
SPARTHERM-600-IN



Front view

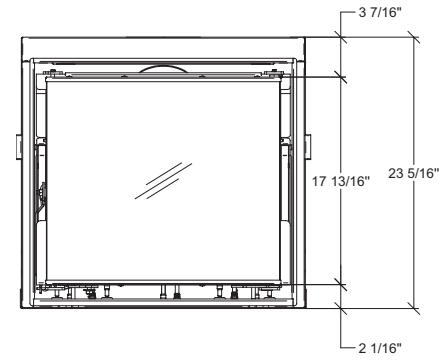


Side view

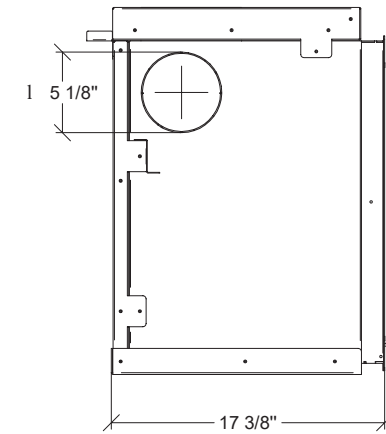


Top view

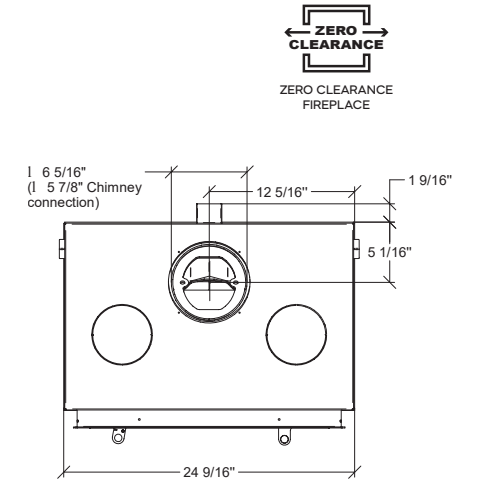
SPARTHERM-600-ZC



Front view

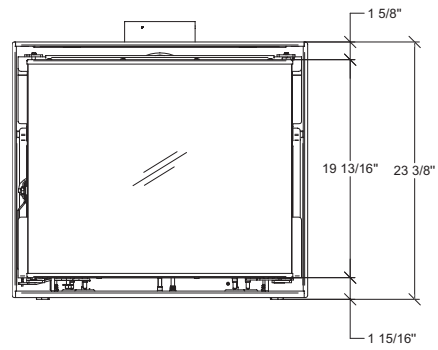


Side view

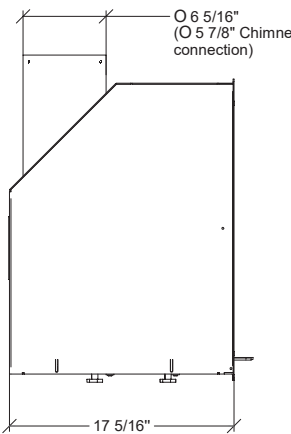


Top view

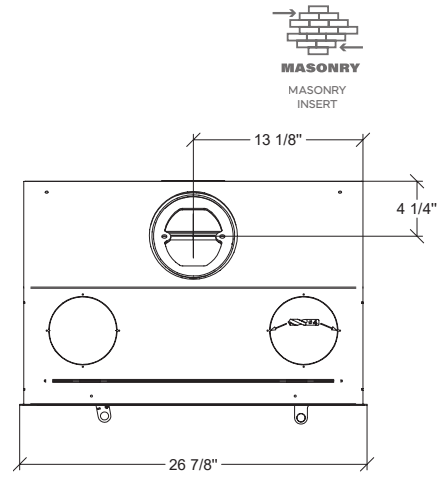
SPARTHERM-700-IN



Front view

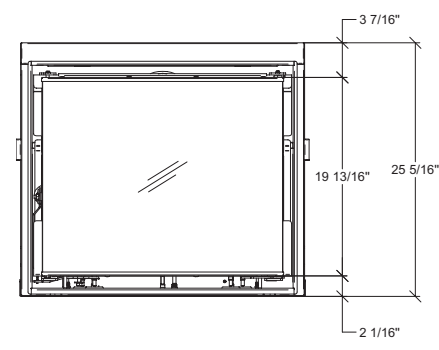


Side view

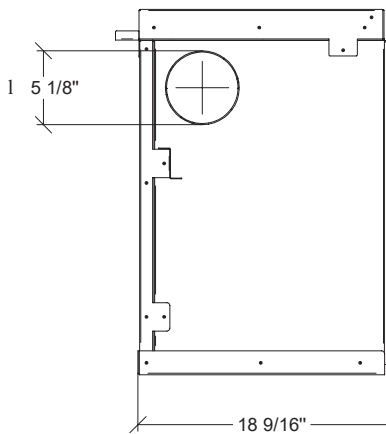


Top view

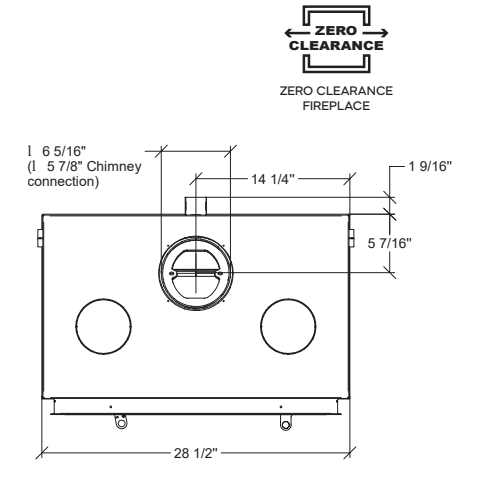
SPARTHERM-700-ZC



Front view

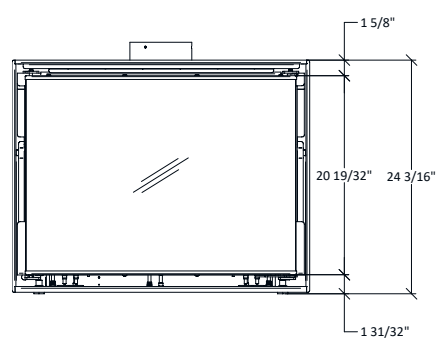


Side view

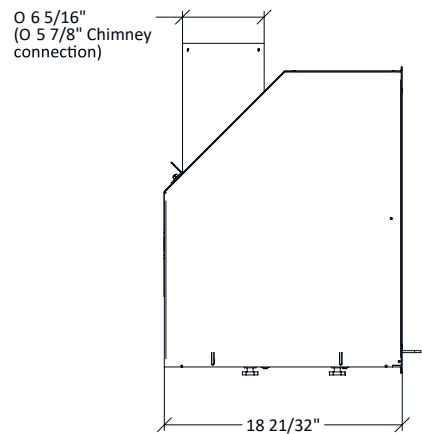


Top view

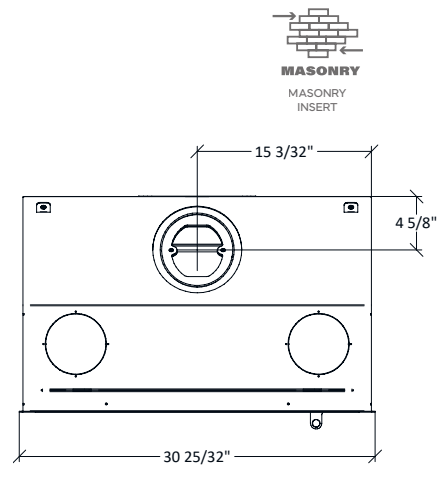
SPARTHERM-800-IN



Front view

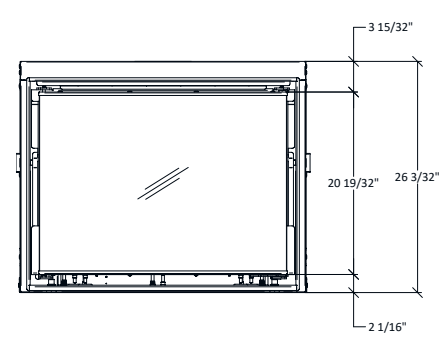


Side view

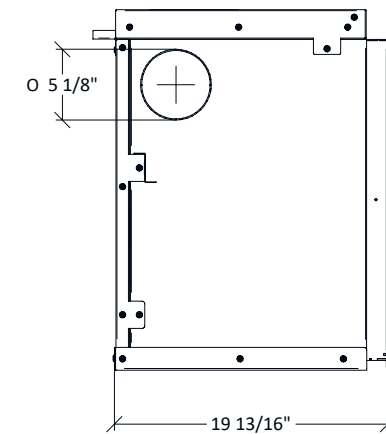


Top view

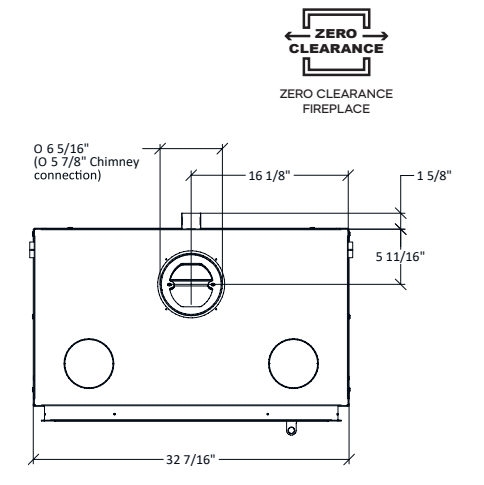
SPARTHERM-800-ZC



Front view

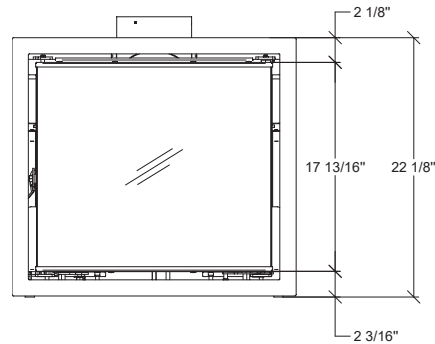


Side view

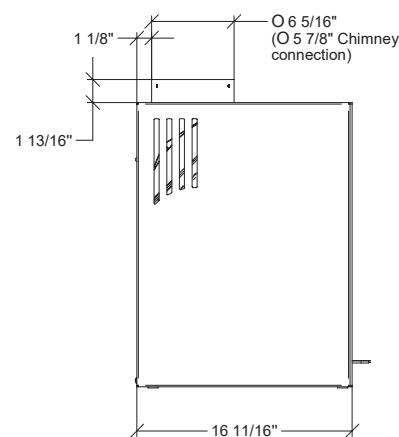


Top view

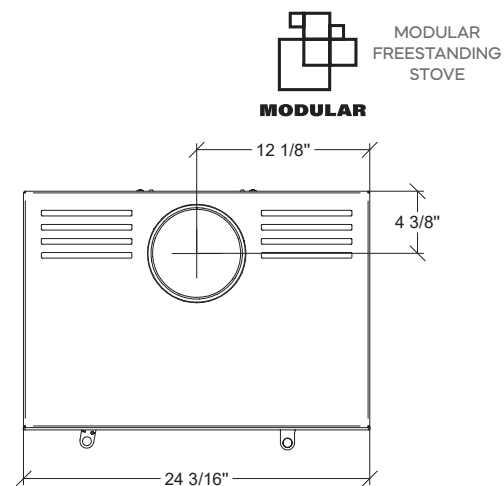
SPARTHERM-600-MO



Front view



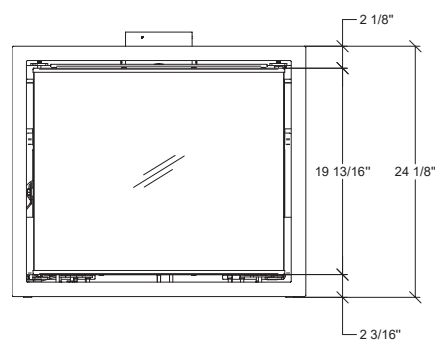
Side view



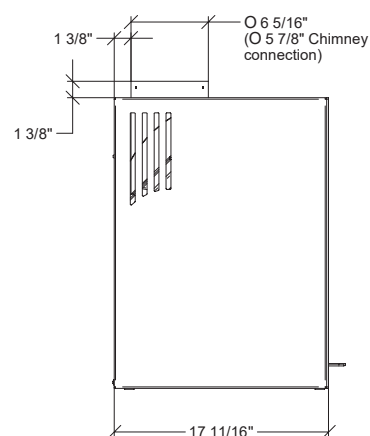
Top view



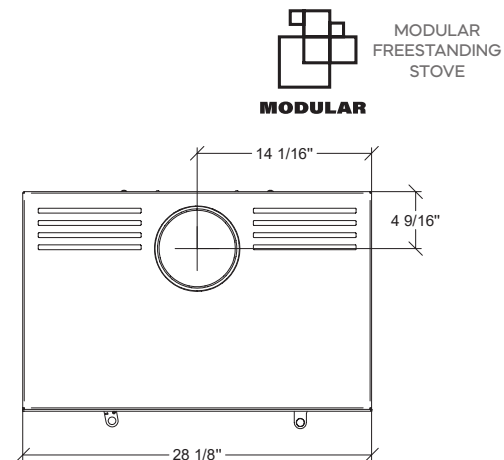
SPARTHERM-700-MO



Front view



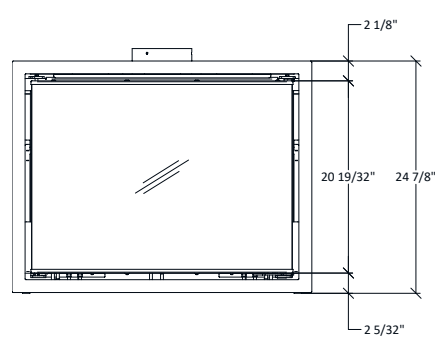
Side view



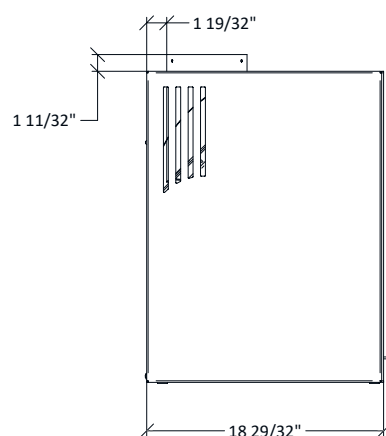
Top view



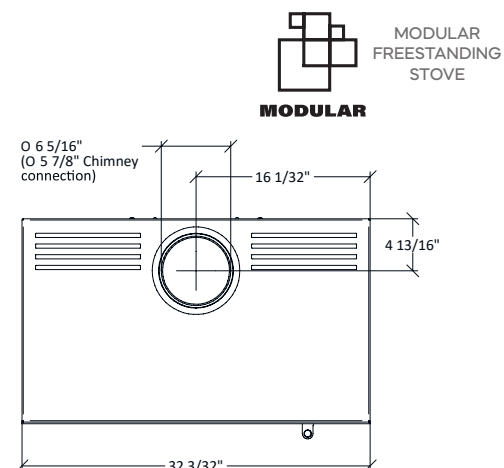
SPARTHERM-800-MO



Front view



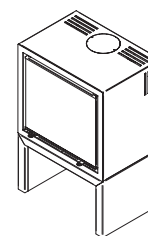
Side view



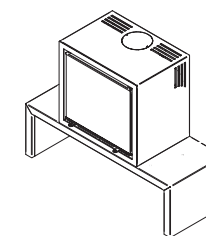
Top view



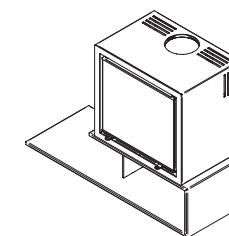
SPARTHERM-600-MO



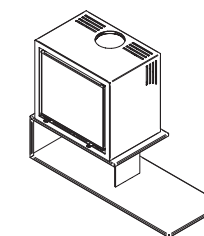
Spartherm-Base B 600-MO



Spartherm-Base C 600-MO

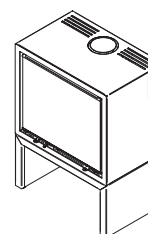


Spartherm-Base E 600-MO left

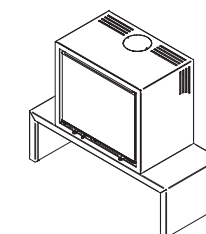


Spartherm-Base E 600-MO right

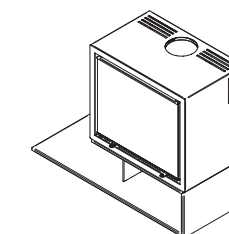
SPARTHERM-700-MO



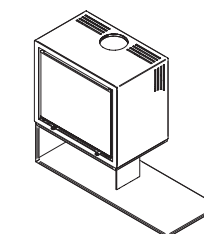
Spartherm-Base B 700-MO



Spartherm-Base C 700-MO

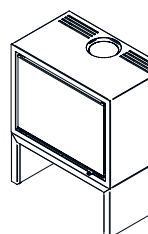


Spartherm-Base E 700-MO left

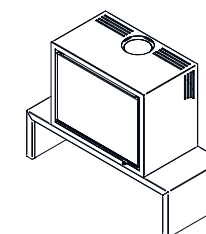


Spartherm-Base E 700-MO right

SPARTHERM-800-MO

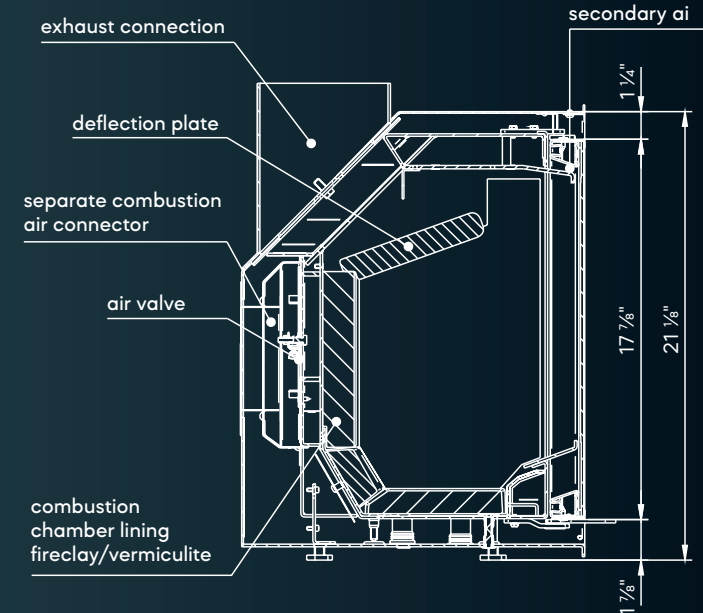


Spartherm-Base B 800-MO

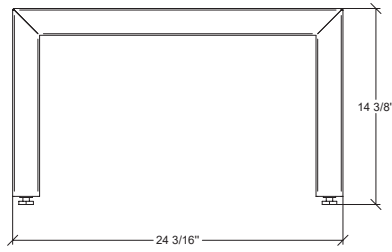


Spartherm-Base C 800-MO

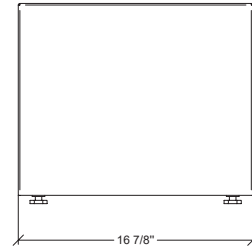
SPARTHERM-600 INSERT PROFILE



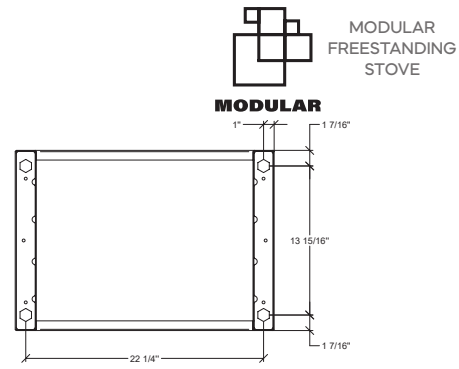
BASE B (SPARTHERM-600-MO)



Front view

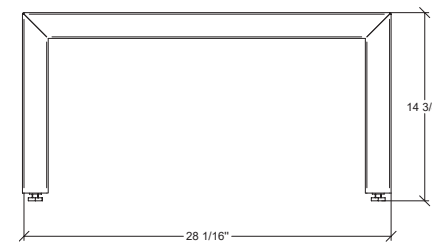


Side view

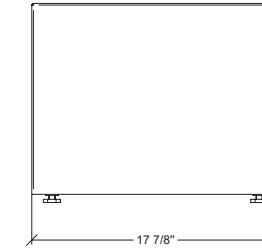


Top view

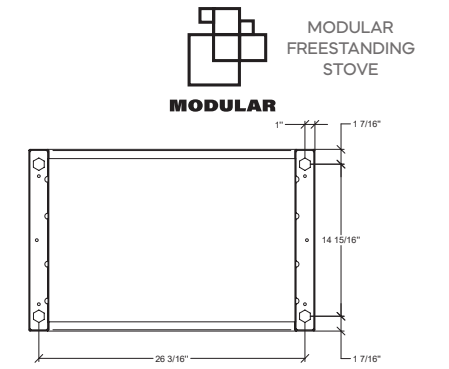
BASE B (SPARTHERM-700-MO)



Front view

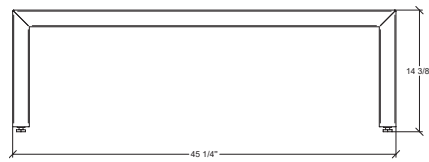


Side View

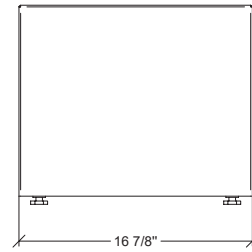


Top view

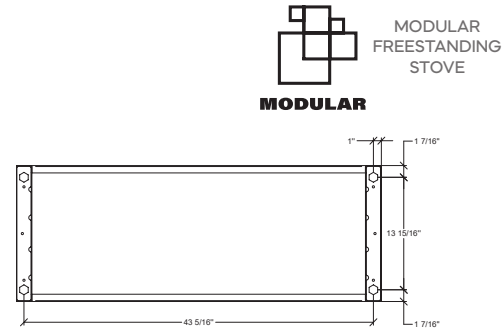
BASE C (SPARTHERM-600-MO)



Front view

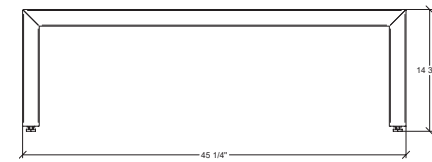


Side view

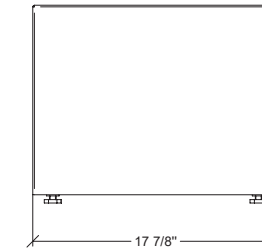


Top view

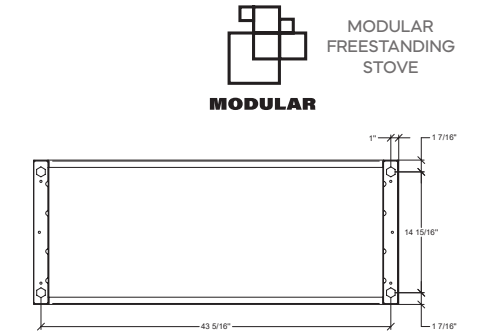
BASE C (SPARTHERM-700-MO)



Front view

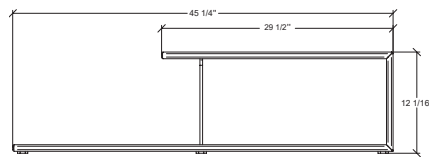


Side View

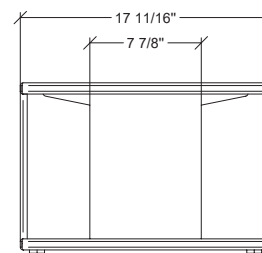


Top view

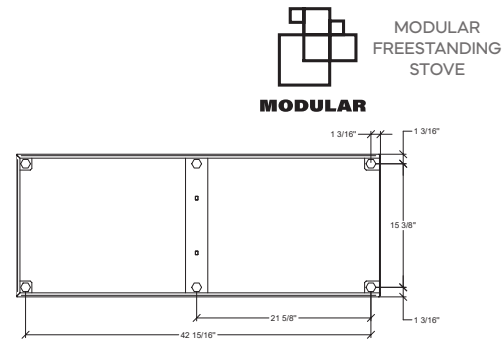
BASE E (SPARTHERM-600-MO) LEFT



Front view

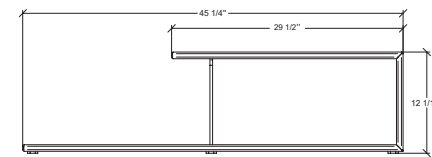


Side view

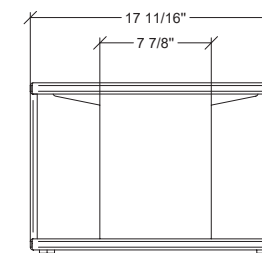


Top view

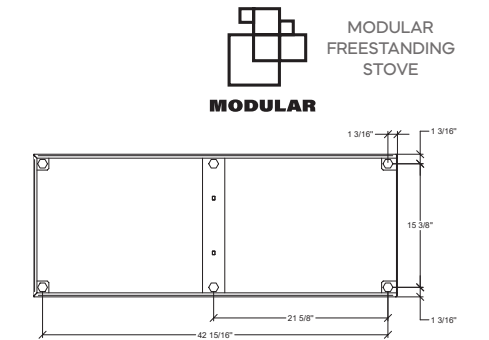
BASE E (SPARTHERM-700-MO) LEFT



Front view

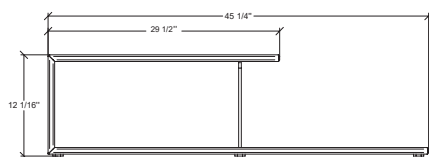


Side View

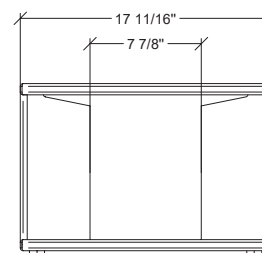


Top view

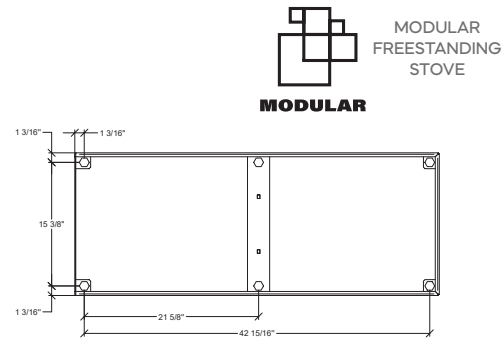
BASE E (SPARTHERM-600-MO) RIGHT



Front view

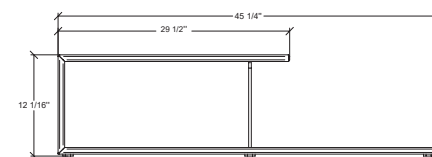


Side view

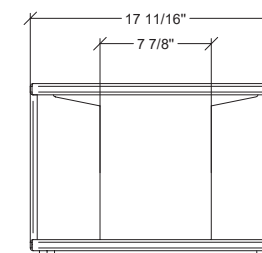


Top view

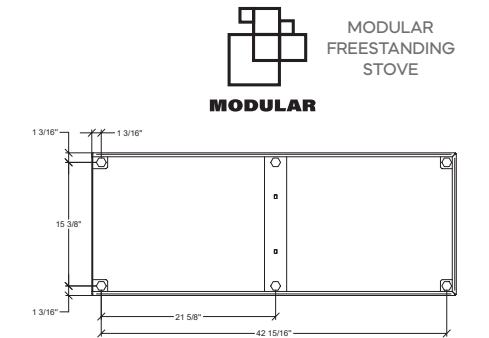
BASE E (SPARTHERM-700-MO) RIGHT



Front view

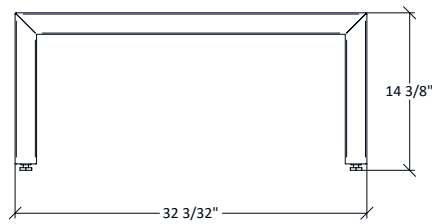


Side View

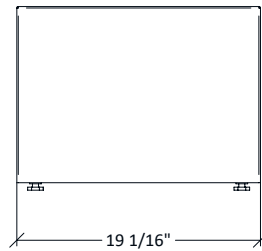


Top view

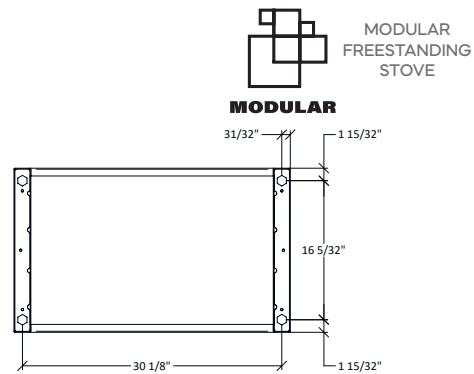
BASE B (SPARTHERM-800-MO)



Front view

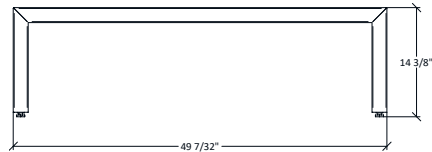


Side View

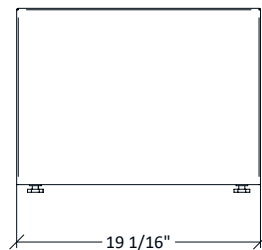


Top view

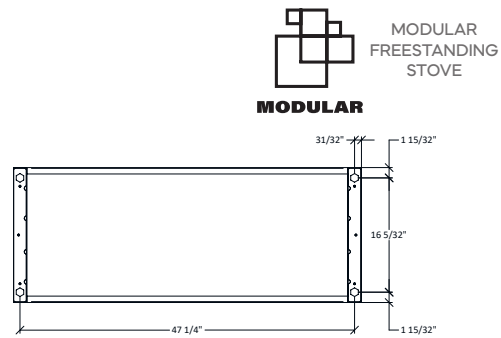
BASE C (SPARTHERM-800-MO)



Front view



Side View



Top view

FREEDOM OF CHOICE TO ADJUST THE SETTING OF YOUR FIREPLACE

WITH THE SPARTHERM RANGE OF INSERTS, ZERO CLEARANCE FIREPLACE AND MODULAR STOVES, YOU CAN NOW ENJOY A FULLY ADJUSTABLE, SAFE AND EFFECTIVE FIRE.

DOOR OPENER



HIGH QUALY



The 600, 700 and 800 fireplace insert match perfectly to your living room, regarding function, modern appearance and uncomplicated installation.

AIR CONTROL



Air Control full EPA for 600 and 700, but not 800.



YOUR SPECIALIST DEALER



Please note that this is not a installation manual.
Units have been placed for marketing purposes.
Please refer to the installation manual for official
installation instructions.

www.spartherm-america.com

