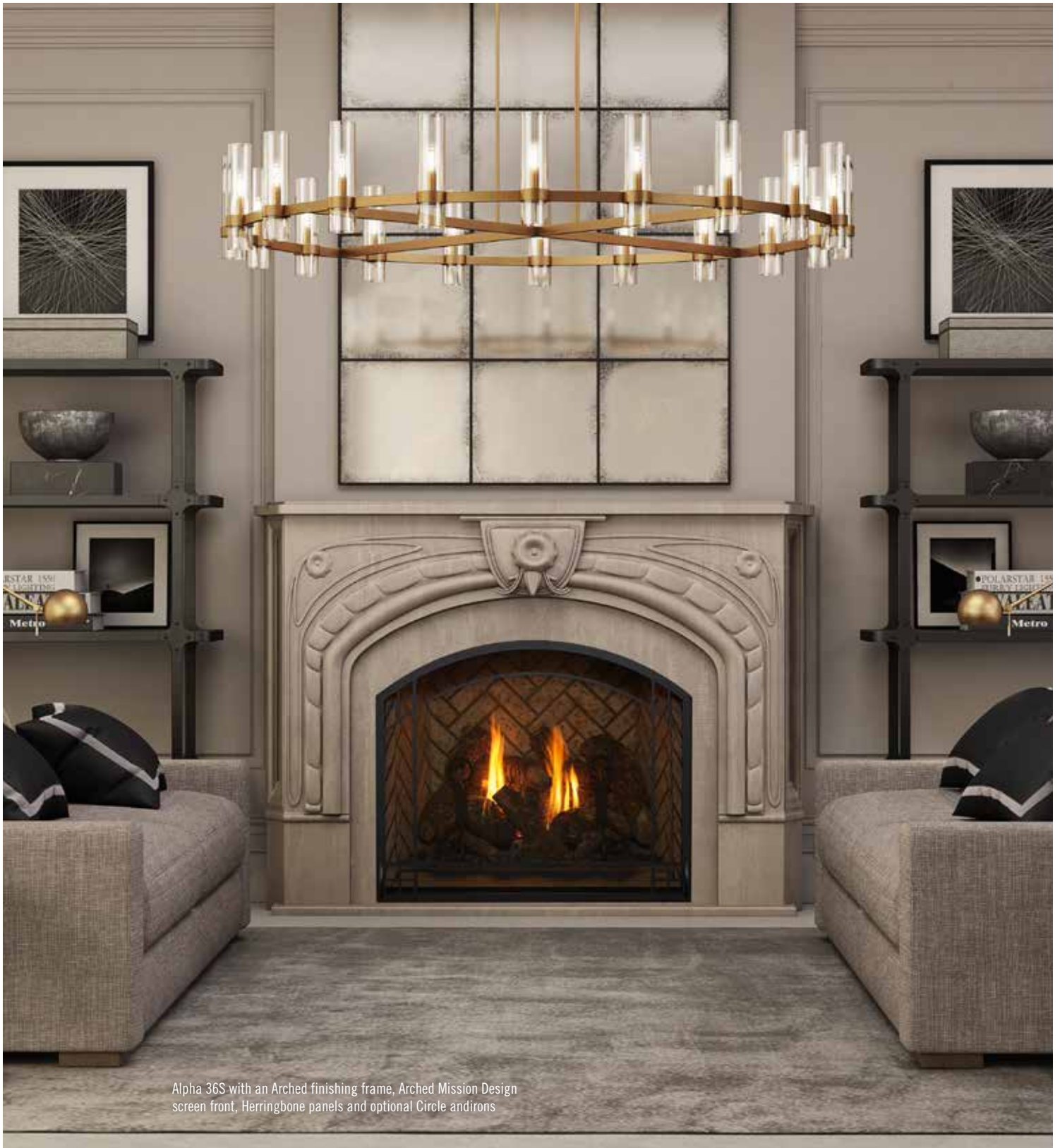


ALPHA 36S

CLEAN FACE DIRECT VENT GAS FIREPLACE



Alpha 36S with an Arched finishing frame, Arched Mission Design screen front, Herringbone panels and optional Circle andirons

QUALITY FIREPLACES FOR LIFE.

KOZY  HEAT
FIREPLACES



Alpha 36S with Décor Design screen front, Enamel panels, and optional Diamond andirons

ALPHA 36S

Fronts

Burn Video



Refractory Options



Traditional Brick



Enamel



Herringbone

Standard Black firebox

37-3/4"

31-7/8"



Décor Design Screen Front
with Herringbone refractory and Diamond andirons

37-3/4"

31-9/16"



Arched Décor Design Screen Front
with Enamel panels and Circle andirons

37-3/4"

31-7/8"



Rectangle Mission Screen Front
with Enamel panels and Circle andirons

37-3/4"

31-9/16"



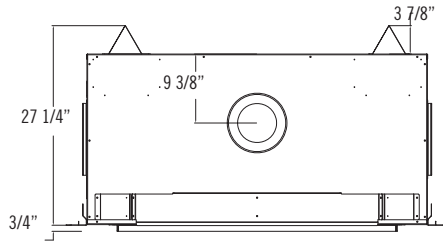
Arched Mission Design Screen Front
with Traditional Brick refractory and Diamond andirons

ALPHA 36S

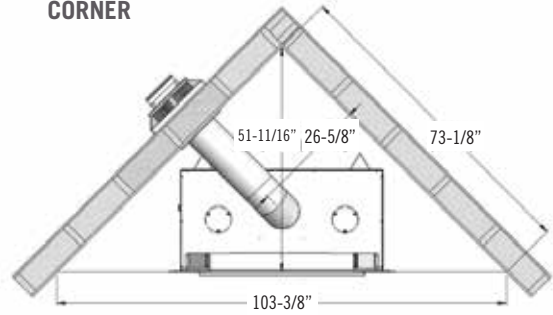
Specifications

Alpha 36S

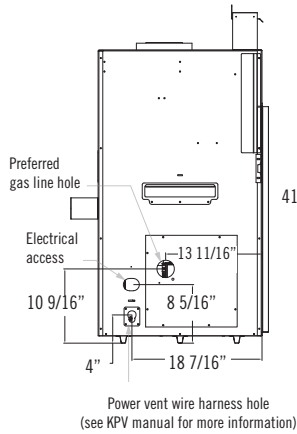
TOP



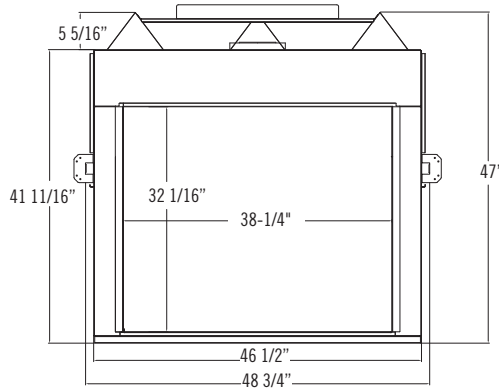
CORNER



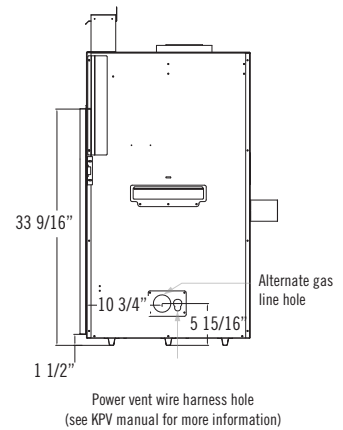
LEFT SIDE



FRONT



RIGHT SIDE



Clearances to Combustibles

Model	Alpha 36S
Top of unit face to framing	5-5/16"
From appliance left & right stand-off brackets	0"
From appliance back stand-off brackets	0"
From appliance bottom stand-off	0"
From appliance front	36"
Top of unit face to ceiling	30-5/16"
Finishing edge to adjacent sidewall	6"
Mantel 9" deep from fireplace enclosure floor	47"
Base of the fireplace to top of the enclosure	72"

Heat Management Options

Model	Alpha 36S
Interior Heat Transfer Kit	Optional
Exterior Heat Transfer Kit	Optional

Model	Alpha 36S
Height	41-11/16"
Width	46-1/2"
Back Width	46-1/2"
Depth	23-3/8"
Weight	315 lbs
Viewing Area (Rectangle)	38-1/4 x 32-1/16
Viewing Area (Arched)	R30" 38-1/4 x 31-3/4
BTU/hr. NG High/Low	48,000 / 24,000
BTU/hr. LP High/Low	48,000 / 24,000
ENERGUIDE P.4 NG / LP	73.81% / 75.99%
Steady State NG / LP	74.36% / 76.38%
AFUE % NG / LP	69.77% / 71.34%
Valve System	IPI
Optional Refractory/Panels (Required)	Herringbone, Traditional Brick, Enamel
Ceramic Glass	Standard
Accent Light Kit	Standard
Fan Kit	Standard
Screen Front	Required
Horizontal Power Vent	Optional

Features, Options & Specifications are subject to change.

Vent System Approval & Requirements

This fireplace is manufactured to accept 5"x 8" rigid and flexible pipe:

- Simpson Dura-Vent™ DV-PRO Pipe - 5"x 8"
- Selkirk Metalbestos™ Direct Chimney System - 5"x 8"
- Ameri-Vent/American Metal™ Direct Chimney System - 5"x 8"
- Metal Fab™ 5"x 8"
- ICC™ 5"x 8"
- Kozy Heat™ Flexible #800 series Vent Kits - 5"x 8"
- BDM™ Direct Vent Chimney System - 5"x 8"
- Olympia Venting Supply, Inc. Ventis Direct Vent 5"x 8"

IMPORTANT: Kozy Heat part #800-WPT or #800-WPT2, must be used on ALL Horizontal vent runs. The included Horizontal Vent Heat Shield must be installed when incorporating minimum horizontal venting. This applies to NG and LP minimum horizontal venting configurations.

Elbows: For each additional 90° elbow used after the first elbow, 3' must be subtracted from the maximum venting allowed. For each additional 45° elbow used after the first elbow, 1½' must be subtracted from the maximum venting allowed.

Note: (2) 45° elbows = (1) 90° elbow.

Horizontal Terminations

Minimum: 18" min vertical rise + 90° elbow + 9" minimum + vent cap
Maximum: 25" min vertical rise + 90° elbow + 25' maximum + vent cap

Vertical Terminations

Minimum: 4' + vent cap
Maximum: 50' + vent cap

Each unit factory tested

Refer to the installation manuals for complete installation & venting requirements. See additional mantel clearance configurations in the installation manual.

ALPHA 36S

Fireplace brochures are for advertising purposes only.
Refer to the specific fireplace manual for installation.

Specifications

The Alpha 36S is a clean-face traditional looking fireplace, removing the conventional framed face offers an unobstructed view of the fire that provides the most realistic classic woodburning look available, and the benefit of enhanced radiant heat and efficiency. The Alpha 36S comes with the Komfort Kontrol remote. The Alpha 36S is available in an arched or rectangular opening and has multiple design options to customize your fireplace.

Remote Control








KOMFORT KONTROL™



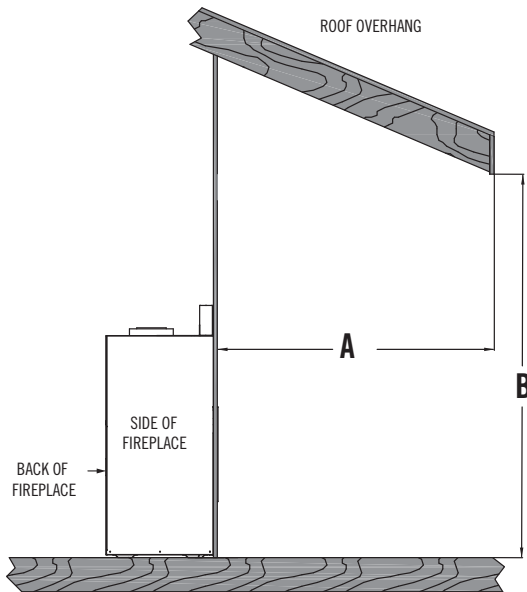
The Komfort Kontrol remote gives you the ability to bring comfort and green technology all together into your home. With the Komfort Kontrol remote, all you have to do is decide a comfortable set point temperature on your remote and when the room temperature gets closer to the point you desire, the Komfort Kontrol remote will turn the flames down accordingly! And with our zone heating, you can save energy and enjoy time in the room you use the most by just turning down the central heat, setting your Komfort Kontrol remote, and enjoy your time around the fireplace with friends, family, or just a good book! That way you'll get to have heat where and when you need it while saving energy and money with just a click of the Komfort Kontrol remote!

Remote control features:

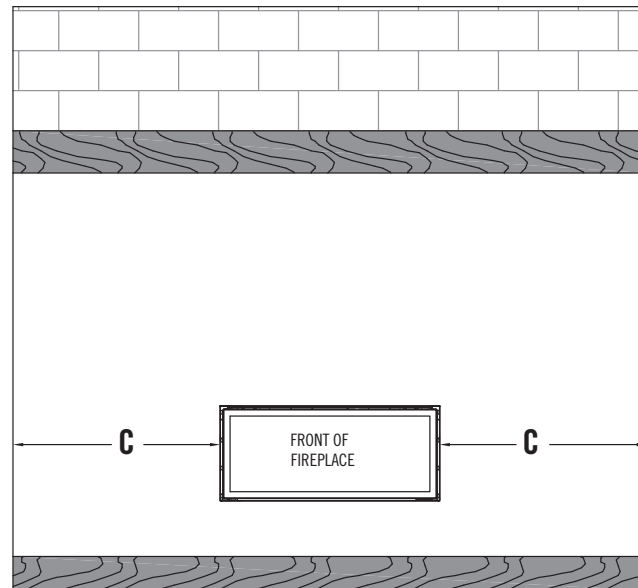
-  Thermostat function
-  Flame height modulation
-  Fan speed modulation
-  Light kit modulation
-  IPI to continuous pilot

Outdoor Covered Fireplace Install

- Fireplace operation is approved from 40 degrees F to 110 degrees F
- All wiring connections shall be in accordance with outdoor requirements of NECA NFPA 70
- All clearances and requirements in your appliance manual must be adhered to



The overhang (A) must be a minimum of 1/2 or greater of the roofline elevation (B) above the base of the fireplace.



The width of the overhang to each side of the appliance (C) must be a minimum of 1/2 or greater of the roofline elevation (B) above the base of the fireplace.

EXAMPLE: If roofline (B) is 10 ft. above the base of the fireplace, the overhang (A) must be 5 ft. or greater. The width of the overhang to EACH side of the fireplace (C) must be 5 ft. or greater.

In order to continually provide the highest quality product available, features/options, specifications, & dimensions are subject to change. Flame appearance and characteristics may be affected by altitude, fuel type, venting configuration, and other factors. Refer to the unit installation manual for complete installation instructions. Installation must conform with local building codes. **In some regions it may be possible that this appliance qualifies for an energy rebate. See your local dealer for details regarding promotions and qualifications.**

Manufactured by Hussong Mfg. Co., Inc.
204 Industrial Park Road, Lakefield, MN 56150
Phone 1-800-253-4904 www.kozyheat.com

4-22



Product Line:



For complete information on the Kozy Heat product line, please contact us at:

FOR CALIFORNIA RESIDENTS ONLY
⚠ California Proposition 65 Warning

WARNING: This product can expose you to chemicals including Carbon Monoxide, that is an externally vented by-product of fuel combustion, which is [are] known to the State of California to cause birth defects or other reproductive harm. For more information, visit www.P65Warnings.ca.gov.