



VERSAPILE



VERSAPOST

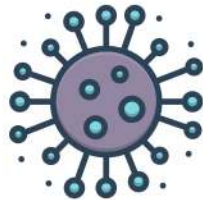
ADJUSTABLE CRIBBING/BLOCKING ALTERNATIVE

Avoid having to pour concrete footings, use of wood cribbing, or the use of wobbly, low-quality jacks. A VersaPost foundation offers support and adjustability.



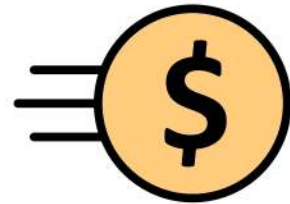
Easily Adjusted

Adjusting a continuous poured footing with pony wall is a nightmare. Jacking and shimming wood blocking is back breaking and often dangerous. Versa-Post gives you the easy adjustment of a telepost while offering excellent lateral support so leveling is fast and safe.



Avoid Mold

Versa-Post is an all steel product which is non-porous and that will not wick moisture. Wood blocking or pony walls on the other hand can often wick moisture resulting in mold. Easy adjustment means doors and windows open and close properly, avoiding mold due to thermal gaps.



Fast & Affordable

A Versa-Post can be assembled, placed, trimmed to height and capped in about 10 minutes. They are rated up to 30,000 lbs (pad to be engineered) so they offer efficient support. No component can spoil and they can be stored outdoors so they are ideal to come in on a winter road to be installed anytime.

Efficient & Adjustable Surface Foundations That Last Generations

The Ultimate Cap

The post cap is gusseted to provide excellent lateral support while maintaining adjustability. The wide 15" x 7" top will allow for a modular home with shared beam support.



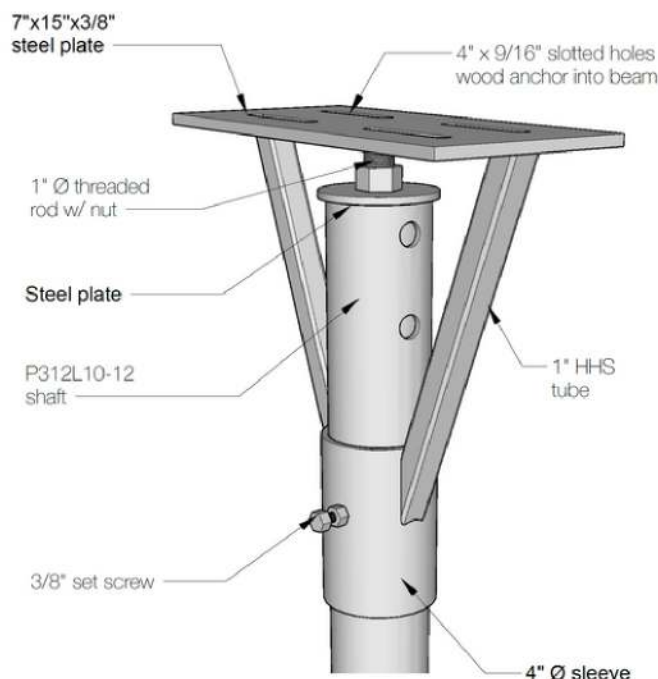
No More Concrete

Avoid the hassles of concrete and never have to deal with another spoiled bag.



Galvanized for Long Life

Base and post shaft made of new steel that is hot-dip galvanized to ensure a long life.



A Versatile Surface Foundation

Foundations in remote communities can be tricky due to sometimes challenging soil conditions. VersaPost can be installed in a variety of ways, including: mounting to a concrete pad/block, mounting directly to bedrock, placing directly on the ground or securing to wood pads.

Ideally, the site is well prepared (packed and leveled) to minimize seasonal shifting. However, VersaPost is designed to allow 5 inches of adjustment using a one and a half inch crescent wrench.

VersaPost is a popular foundation alternative when you might otherwise utilize surface foundations such as footings, pads, cribs, etc. It would also be a good foundation solution when access to heavy equipment to install deep foundations is limited or expensive.



If the ground offers at least 5 feet of overburden and there is access to heavy equipment such as a skidsteer or excavator, we would highly recommend considering helical pile foundations. Helical pile foundations is the core business of VersaPile, Inc. and are anchored below moving soils offering a permanent, movement free foundation which is ideal. VersaPost was created as a solution when conditions are not suitable for helical piles.

The VersaPile team can outfit you to install VersaPost foundations utilizing local workers or perform installs for you as well as provide foundation engineering for projects.

VERSAPOST FOUNDATIONS



www.versapile.com | TF: 1.855.474.5464
204.793.0653 | sales@versapile.com

