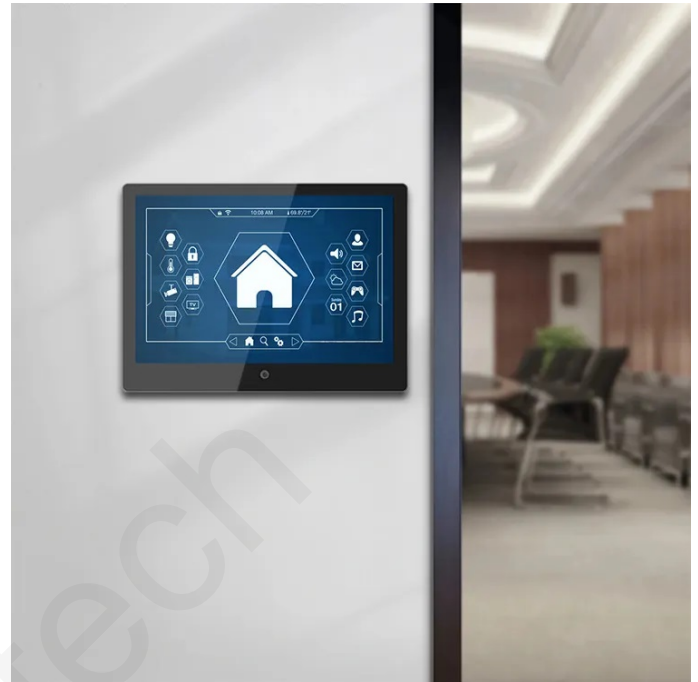


Product name: 10.1 "meeting reservation screen

Style: horizontal (with breathing light)

Product model: SIN-M010101



1. Product Introduction

This 10.1 inch display, border design has status lights, red, green, blue , you can customize a certain state; The LCD panel uses Mohs grade 7 tempered glass, beautiful appearance and ultra-thin, and has high-definition picture, touch operation.

1.2 Features

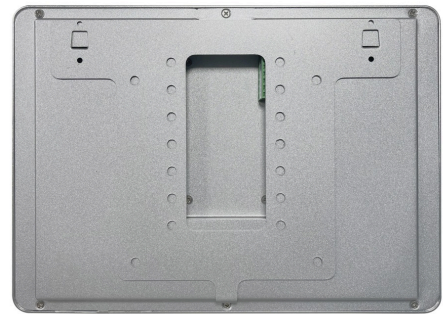
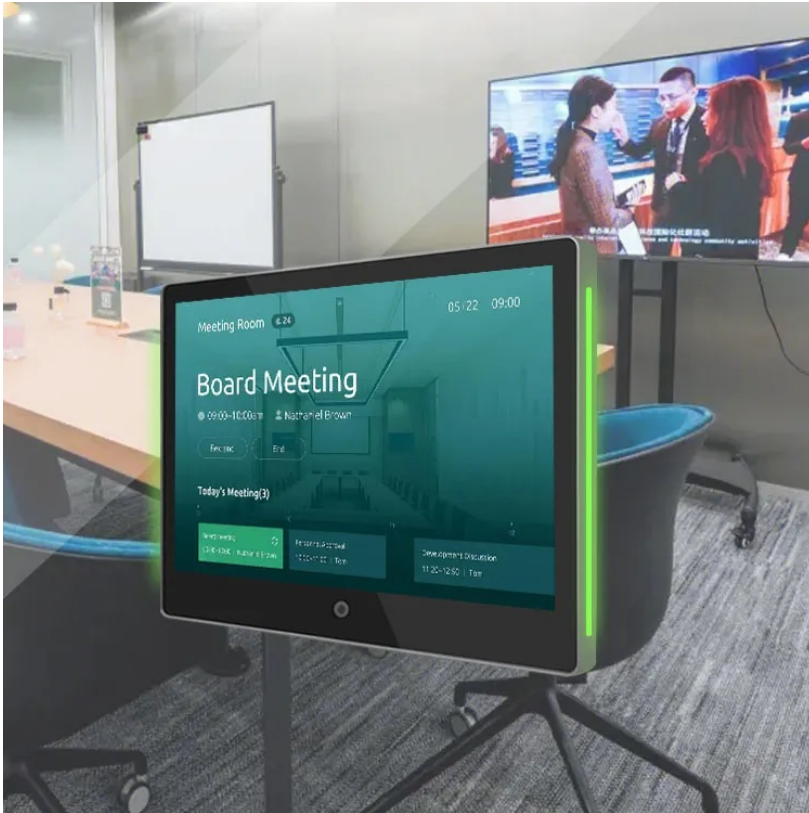
1. Convex frame, ultra-narrow frame, arc Angle design, to ensure safety and anti-collision
2. Back hidden buried wire design, convenient construction, flat wall, beautiful
3. Mohs grade 7 toughening, anti-collision, anti-riot, anti-scratch

1.3 Qualification Certificate

- Quality management system ISO9001
- Product 3C certification
- Energy-saving product certification certificate
- National high-tech enterprise certificate
- Environmental management system ISO14001

1.4 Test report

- 1.4.1 CNAS test report



Intelligent conference room management (access control interconnection)



Support connection between old and new access guards
 Support punch the door open
 Support face recognition door, etc

4. Product parameters

10.1 "conference display		
Product Model	SIN-M010101	
Style	Horizontal style (with breath light)	
Screen	LCD screen size	10.1"
	Screen scale	16:10
	Effective display area	135.36 (V) x 216.58 (H) mm
	Resolution	1280 * 800
	LCD type	Thin film transistor
	Touch screen	Projective capacitive touch
G+G 10-point touch with response speed < 8MS		
20X32 channels		

	Display color	16.7 M	
	Perspective	Full View	
	Backlight	27-LEDs (white)	
	Data transmission	MIPI	
	Operating temperature	- 10 °C to+ 50 °C	
	Storage temperature	- 20 ~ + 60 °C	
	Response time (MS)	5MS	
	Brightness	300cd/m2	
	Contrast	1000:1	
	Tempered glass	Mohs Grade Seven tempered glass	
Basic parameters	Overall dimensions	Length 254.57 x width 185.57 x thickness 29.5mm	
	Machine weight	1.55 KG	
	Color	Iron gray (other colors can be customized)	
	Machine power	Standby power $\leq 0.5W$	
		Working power <25W	
	Operating voltage	12V	
	Working current	3A	
Work environment	Indoor, semi-outdoor		
Core parameters	CPU	RK3568 (Cortex-A55x4) quad-core processor up to 2.0GHz	
	GPU		
	Storage	DDR 4G, EMMC 16GB	
External ports	USB	2	
	Network port	1 RJ45 with POE support	
	POE	Support for IEEE 802.3af/at standards	
	DC	1	
	Access control	1	
Camera		<input checked="" type="checkbox"/> Regular camera	<input type="checkbox"/> Wide dynamic camera
	Aperture	The 2.4 mm	The 2.4 mm
	Focal length	The 1.7 mm	The 4.3 mm
	Field Angle	65 °	73 °
	TV Distortion	< 1%	0.5% or less
	Sensitive area size	1/4inch	1/2.7 inch
	pixel	Monocular 100W	Monocular width dynamic 200w

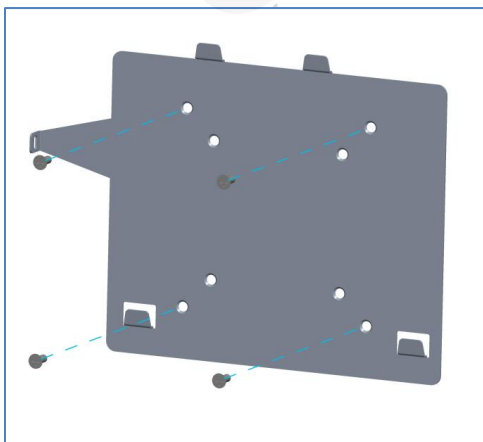
Swipe card module	Support card	Support for the MYFARE standard 14443A protocol cards such as S50 and S70
	Supported protocols	Android protocol Protocol 14443A
	Card reading distance	0~60mm (different card identification distance is different)
	Card reading time	< 100ms
	Communication rate	9600
	Radio-frequency antenna	Integrated with PCB
	Communication interface	Uart TTL
	Built-in speaker	Controllable buzzer
Access control module	Support agreement	ISO14443A
	Support card	Mifare (1K/4K); NXP S50,NXP S70, Fudan Micro F08, Ultralight
	Operating System	WIN\Android
	Card reading distance	0~35MM
	Card reading time	< 100MS
	Communication rate	9600~115200bps
	Rf antenna	Split
	Communication interface	TTL (232, USB needs to be customized)
	Work environment	Temperature (-20 ° C to 85 ° C) Humidity (5% to 95%)
	Operating voltage	5V
	Working current	33mA
	Indicator light	LED indicator (to be customized)
	Built-in speaker	Buzzer, can control the buzzer
Pin interface	PW, R, T, GND	

	Pin definition	Dc input power supply 5V, connect to MCU TXD, connect to MCU RXD, power supply ground
Other parameters	MIC(recording)	
	Speaker power (W)	3 w * 2, 8 Ω
	Network mode	Support network cable connection, wireless WiFi
	Status light	Border design has two status lights, red, green, blue lights, you can customize a certain state
Optional configuration		
	Camera	<input checked="" type="checkbox"/> normal camera <input type="checkbox"/> Wide motion camera
	4G network	<input checked="" type="checkbox"/> none <input type="checkbox"/> Yes
	Access control	<input checked="" type="checkbox"/> with and without <input type="checkbox"/>
	POE Power	<input checked="" type="checkbox"/> with <input type="checkbox"/> without
Install	Installation method	Wallmount

5. Installation steps

5.1 Install wall hanging panels

After determining the installation position, attach the back of the wall hanging plate to the wall, and drive it into the wall after tapping the screw to align the installation hole (left picture below).



5.2 Install the conference display

The conference display is suspended on the wall hanging board, and the anti-theft screw is locked from the bottom (the picture on the right of the above picture).