



Product  
**Catalog**

SWISS MADE SINCE 1977

# Our Company

Since its foundation in 1977, HO-Matic strives daily to provide unique products, combined with the best possible service to actively assist and support our customers.

The name HO-Matic is internationally recognized for its innovative and successful product lines for controlling various kinds of media. At the center of all our products are the patented HOmatic pinch valves. The ever-growing product range with modular system covers near to all areas of customers application.

Through millions of applications of our valves, HO-Matic owns a high level of experience and is proud of the built up reputation.

“Made in Switzerland” is a principle for us and stands for the highest quality.

Combined with our young and motivated team, we are able to respond to customer requests quickly. We are very proud to our fast delivery times.

We ensure a close to market approach, supported by seven worldwide distributors. The knowledge on all the different customer requirements is later on applied into the product development.



04

Our pinch valve

06

Our series

19

Triggering

20

Installation and  
operating conditions for  
H0matic Pinch Valves (Standard)

21

Mounting instructions  
for H0matic QSV pinch  
valves, series 41

22

Installation and operating conditions  
for the use in ex-zones pursuant to  
ATEX directive 2014/34/EU

23

Overview

24

Guaranteed quality  
since 1977



**Content**

# OUR PINCH VALVE

## Your problem solver for:

- abrasive media
- corrosive media
- solids
- powders and granulates
- foodstuffs
- slurries
- dusts
- non-homogeneous products
- suspensions
- "complicated" products
- vacuum applications
- FDA-/ATEX applications



Applicable in **all industries!**  
Everywhere, where ball valves, gate valves or diaphragm valves are not a solution!

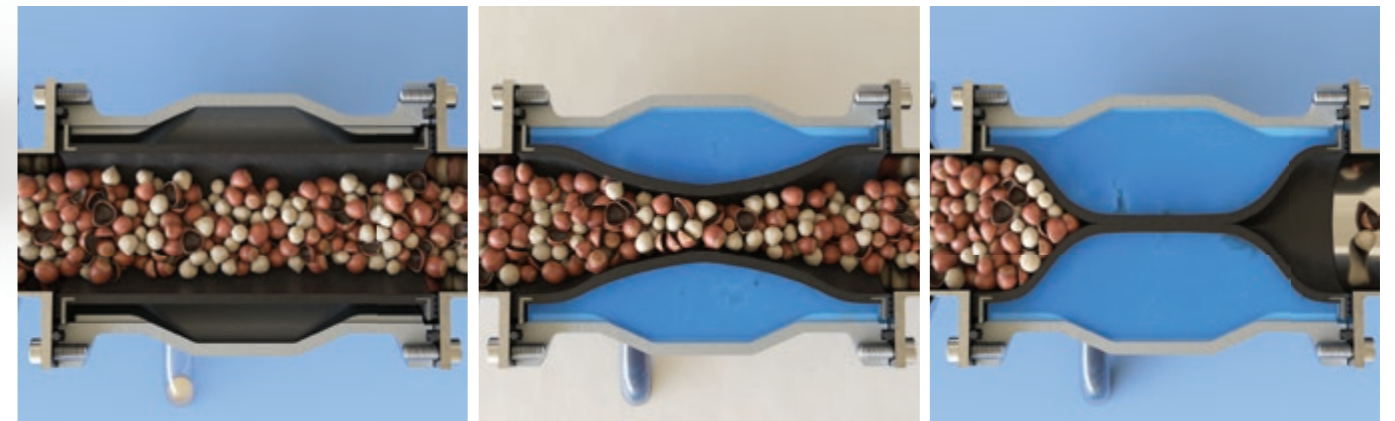


## Advantages

- free product flow according to the nominal size
- No clogging, no constrictions or congestions
- no sticking residues in the valve
- immediate opening and closing
- practically free of dead space
- negligible frictional resistance
- 100 % tight / gas-tight
- light, robust and compact design
- controlled by 3/2-way solenoid valve
- customer friendly assembly
- quick and easy sleeve replacement
- maintenance friendly armature



## Function of a pinch valve



**Click here to discover the detailed functionality**

## The rubber sleeve Our Know-How

HOmatic sleeves are made from specially developed elastomer compounds with special fabric inserts to meet the high requirements in terms of **robustness, high elasticity, reset force and durability.**

The very elastic pneumatically actuated sleeve blocks the product flow with a differential pressure of 2-3 bar (depending on the elastomer quality) and thanks to its high rebound elasticity - automatically returns to its original open position when the compressed air is released.

### NR (FDA, ATEX)

- natural rubber
- for abrasive media

### FPM

- fluorocarbon rubber
- chemical resistant

### CSM

- Chlorosulfonated polyethylene
- for chemicals and oxidizing media

### NBR (FDA, ATEX)

- natural rubber
- for fuels, oils, greases

### CR

- chloroprene rubber
- ozone resistant

### EPDM (FDA, ATEX)

- ethylene-propylene rubber
- for chemicals
- strong heat resistance



### More qualities upon request

### Available colors: black & pale

## Materials for housings and connections

### POM white / POM-ELS

Acetal resin-polyoxymethylene

### Aluminium

Anodized, EN AW-6026

### Cast aluminum

Powder coated, EN AC-42100

### Stainless steel

1.4404 / 1.4435



### Other materials upon request

## Connection types

### Threaded connection

DIN 259 / ISO 228

### Tri-Clamp

DIN 32676 series A

### Flange

DIN EN 1092-1 PN 10/16

### Dairy pipe fitting

DIN 11851



Due to local production, a wide variety of customer designs are possible

## Technical data

<b>Nominal sizes:</b>	DN 06 - DN150
<b>Nominal pressure ratings:</b>	PN10
<b>Operating pressure:</b>	up to max. 4 bar
<b>Vacuum application:</b>	yes
<b>Control medium:</b>	compressed air, neutral gases, water, oil (on request)
<b>Normal position:</b>	NO (normally open)
<b>Temperature range:</b>	-20° bis 120°C NR +80°C, NBR +80°C, EPDM +120°C, CR +80°C, CSM +80°C, FPM +100°C

# SERIES 00

Nominal widths: **G 3/8", 1/2", 3/4", 1"**  
 Especially suitable for: **dosing of food & powder**



## Material specifications

**Screws**  
galvanized steel

**Threaded cover**  
POM plastic (polyoxymethylene), natural white

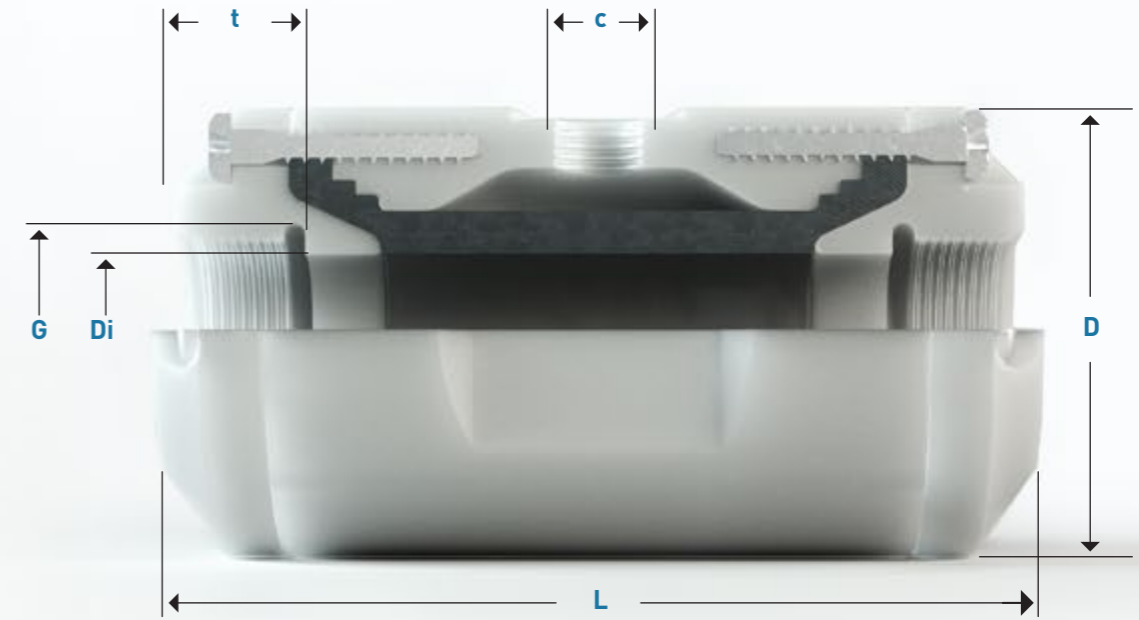
**Sleeve**  
as selected

**Housing** (not in contact with medium)  
POM plastic (polyoxymethylene), natural white

Special versions on request

Assembly videos, service instructions, spare parts, conformities etc. see: [ho-matic.ch/downloads](http://ho-matic.ch/downloads)

## Dimensions



DN	Di	G	t	D	L	c	Vol. l'	kg
10	10	G 3/8"	12	44	80	G 1/4"	0,03	0,14
15	15	G 1/2"	14	50	95	G 1/4"	0,04	0,20
20	20	G 3/4"	17	58	110	G 1/4"	0,05	0,30
25	25	G 1"	20	65	125	G 1/4"	0,07	0,40

**Vol. l'** - Control volume for closed valve

## Article number

Series	DN	Sleeve   Quality								Version
		NR	NR-L	NR-LH	NBR-LH	EPDM-L	FPM	CR	CSM	Standard
00	010.	001.	011.	021.	121.	212.	303.	401.	501.	000
	015.									
	020.									
	025.									

## Example orders

**Valve complete:** 00020.001.000 | **Sleeve:** 0020.001.000 | **Spare part:**

## Control | Accessories



# SERIES 10

Nominal widths: **G 1/2", 3/4", 1", 1 1/4"**  
 Especially suitable for: **vehicle and apparatus manufacturing**

www.ho-matic.ch



## Material specifications

**Threaded cap**  
 POM plastic (polyoxymethylene), natural white

**Clamping cone**  
 POM plastic (polyoxymethylene), natural white

**Sleeve**  
 as selected

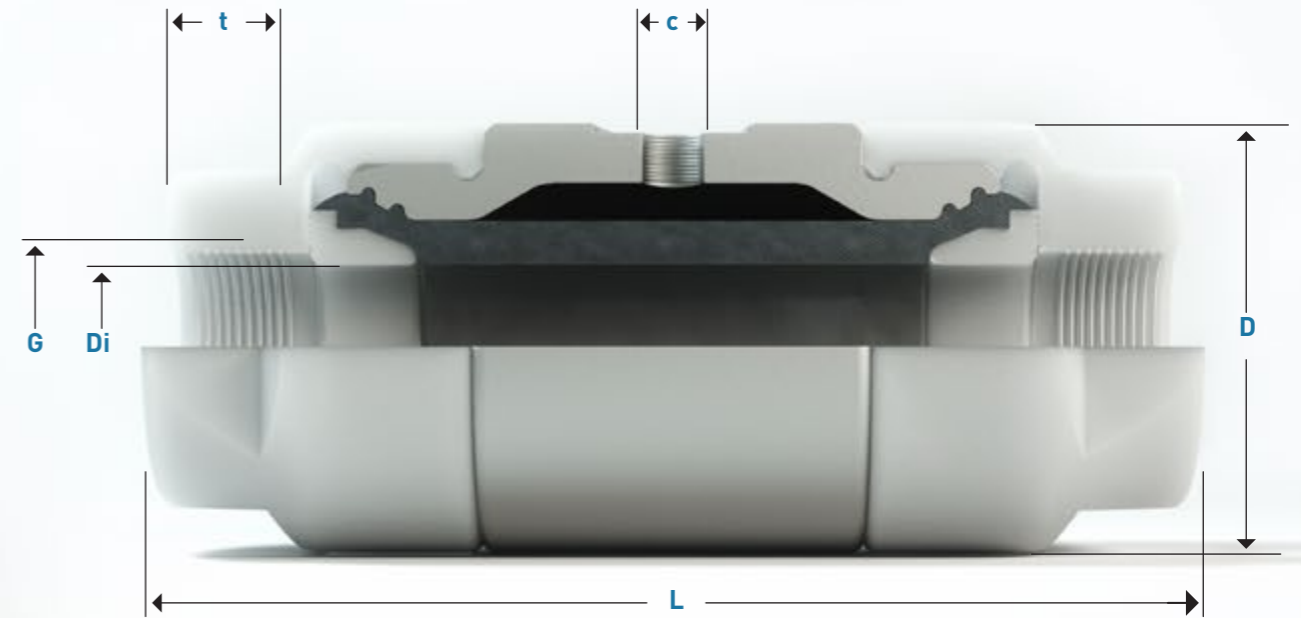
**Housing** (not in contact with medium)  
 aluminium alloy 6026, colourless anodized

Special versions on request

Assembly videos, service instructions, spare parts, conformities etc. see: [ho-matic.ch/downloads](https://www.ho-matic.ch/downloads)



## Dimensions



DN	Di	G	t	D	L	c	Vol. l'	kg
15	15	G 1/2"	14	52	120	G 1/8"	0,04	0,35
20	20	G 3/4"	16	59	140	G 1/8"	0,05	0,50
25	25	G 1"	20	65	150	G 1/8"	0,07	0,60
32	32	G 1 1/4"	22	80	180	G 1/8"	0,10	1,00

Vol. l' - Control volume for closed valve

## Article number

Series	DN	Sleeve   Quality								Version
		NR	NR-L	NR-LH	NBR-LH	EPDM-L	FPM	CR	CSM	Standard
10	015.	000.	010.	020.	120.	212.	303.	400.	500.	000
	020.									
	025.									
	032.									

## Example orders

Valve complete: 10020.000.000 | Sleeve: 1020.000.000 | Spare part:

## Control | Accessories



# SERIES 20

Nominal widths: **G 1 1/4", 1 1/2"**  
 Especially suitable for: **powder coating and paint industry**



www.ho-matic.ch

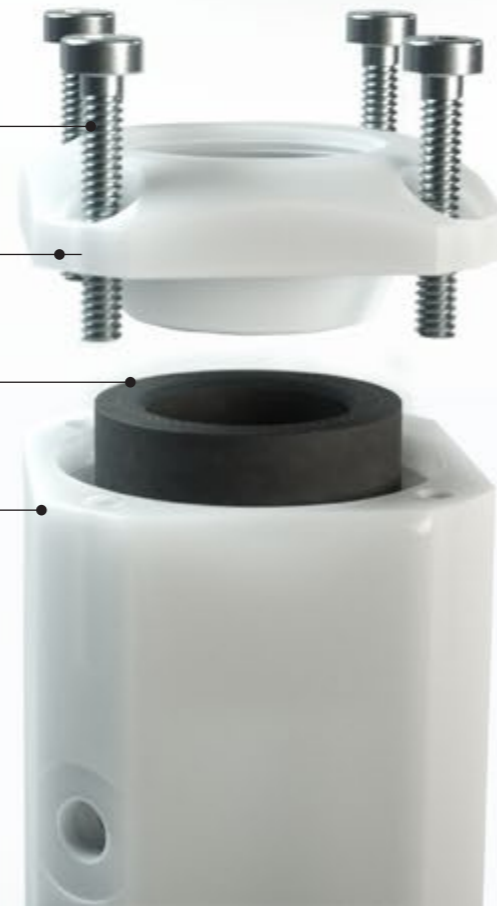
## Material specifications

**Screws**  
Galvanized steel

**Threaded cover**  
POM plastic (polyoxymethylene), natural white

**Sleeve**  
as selected

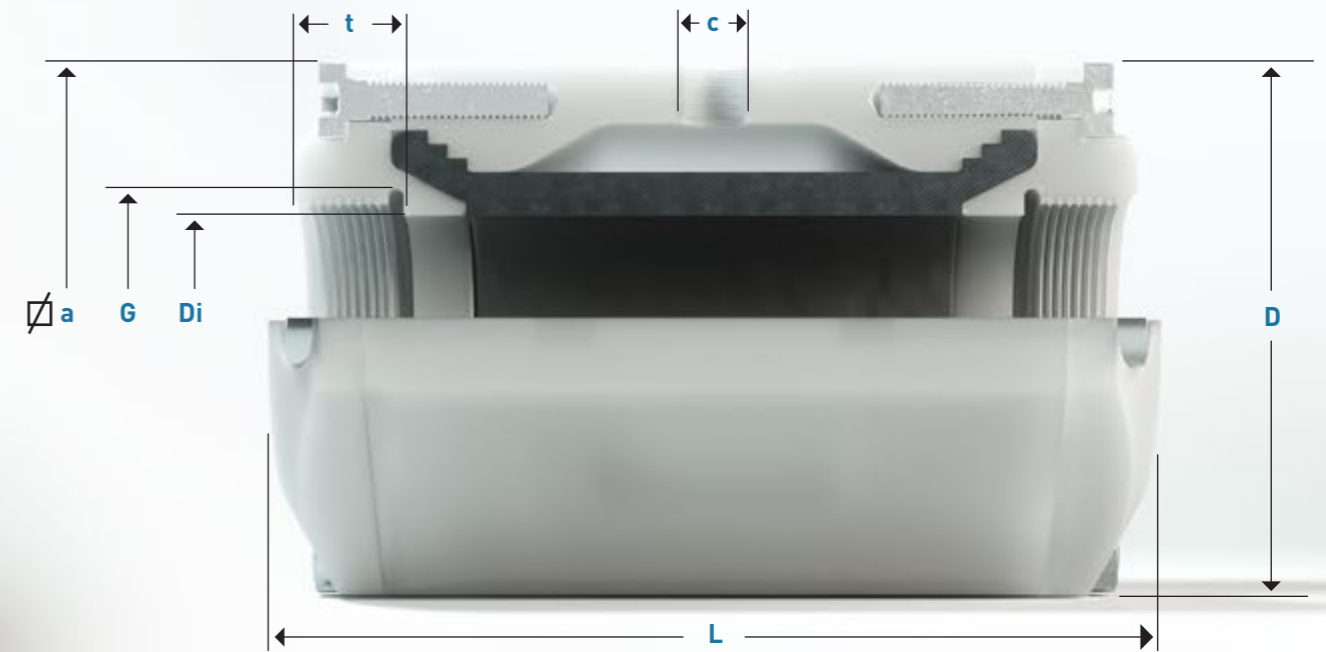
**Housing** (not in contact with medium)  
POM plastic (polyoxymethylene), natural white



Special versions on request

Assembly videos, service instructions, spare parts, conformities etc. see: [ho-matic.ch/downloads](http://ho-matic.ch/downloads)

## Dimensions



DN	Di	G	t	D	L	c	a	Vol. l <sup>1</sup>	kg
32	32	G 1 1/4"	20	83	140	G 1/4"	70	0,10	0,60
40	40	G 1 1/2"	20	95	150	G 1/4"	80	0,13	0,90

Vol. l<sup>1</sup> - Control volume for closed valve

## Article number

Series	DN	Sleeve   Quality								Version
		NR	NR-L	NR-LH	NBR-LH	EPDM-L	FPM	CR	CSM	Standard
20	032.	001.	011.	021.	121.	212.	303.	401.	501.	000
	040.									

## Example orders

**Valve complete:** 20032.001.000 | **Sleeve:** 2032.001.000 | **Spare part:**

## Control | Accessories





Our hit with the unmistakable square shape and its short length.



# SERIES 21

Nominal widths: **DN32 + DN40 (DIN PN 10/16)**  
 Especially suitable for: **powder coating and paint industry**



## Material specifications

**Screws**  
Galvanized steel

**Flange**  
POM plastic (polyoxymethylene), natural white

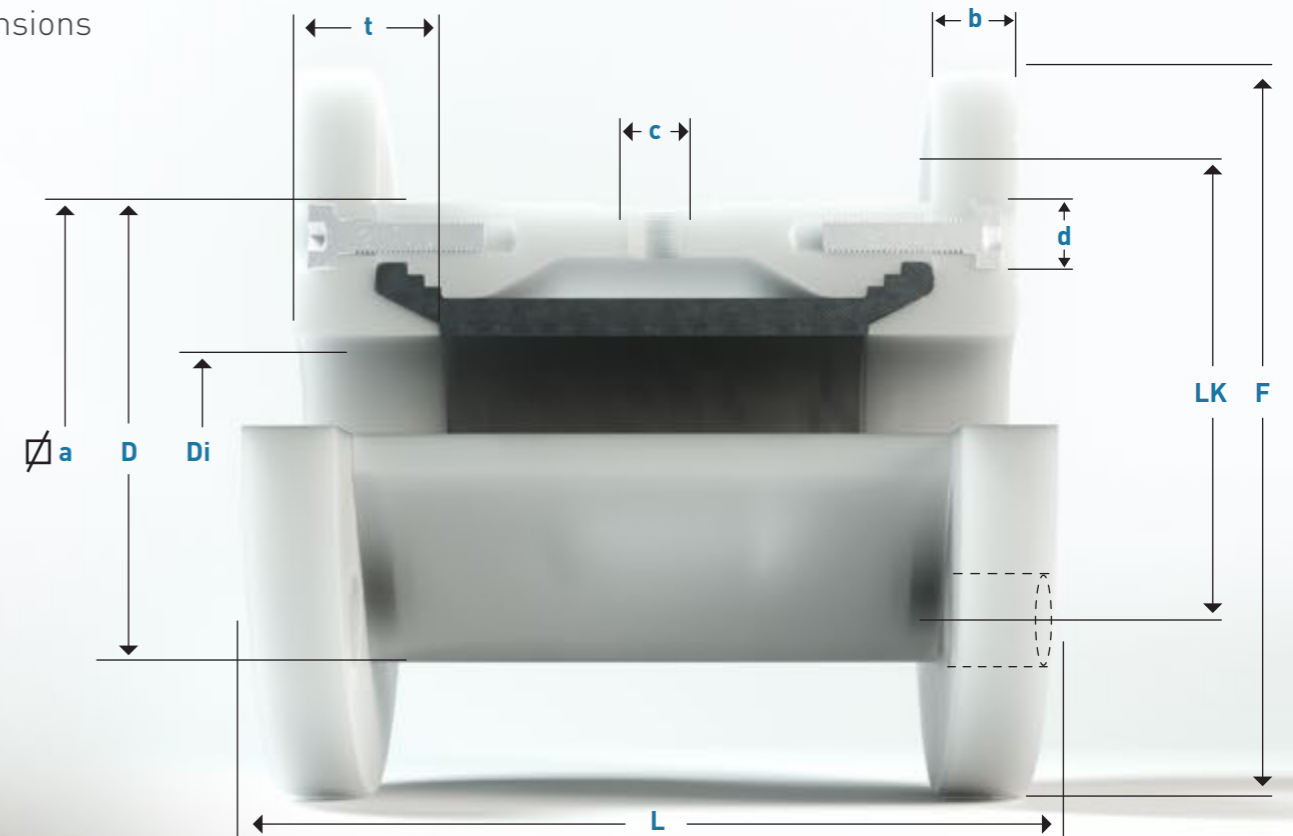
**Sleeve**  
as selected

**Housing** (not in contact with medium)  
POM plastic (polyoxymethylene), natural white

Special versions on request

Assembly videos, service instructions, spare parts, conformities etc. see: [ho-matic.ch/downloads](http://ho-matic.ch/downloads)

## Dimensions



DN	Di	t	D	L	d	c	a	Vol. l <sup>1</sup>	kg	LK	F
32	32	20	83	140	18	G 1/4"	70	0,10	1,00	100	140
40	40	20	95	150	18	G 1/4"	80	0,13	1,40	110	150

Vol. l<sup>1</sup> - Control volume for closed valve

## Article number

Series	DN	Sleeve   Quality								Version
		NR	NR-L	NR-LH	NBR-LH	EPDM-L	FPM	CR	CSM	Standard
21	032.	001.	011.	021.	121.	212.	303.	401.	501.	000
	040.									

## Example orders

Valve complete: 21032.001.000 | Sleeve: 2032.001.000 | Spare part:

## Control | Accessories



# SERIES 40

Nominal widths: **G 2", 2½", 3"**  
 Especially suitable for: **abrasive and delicate products**



## Material specifications

### Screws

Galvanized steel

### Threaded Cover

POM plastic (polyoxymethylene), natural white,  
 POM-ELS plastic, conductible, black (ATEX-Version)

### Sleeve

as selected

### O-Ring

nitrile rubber NBR

### Housing (not in contact with medium)

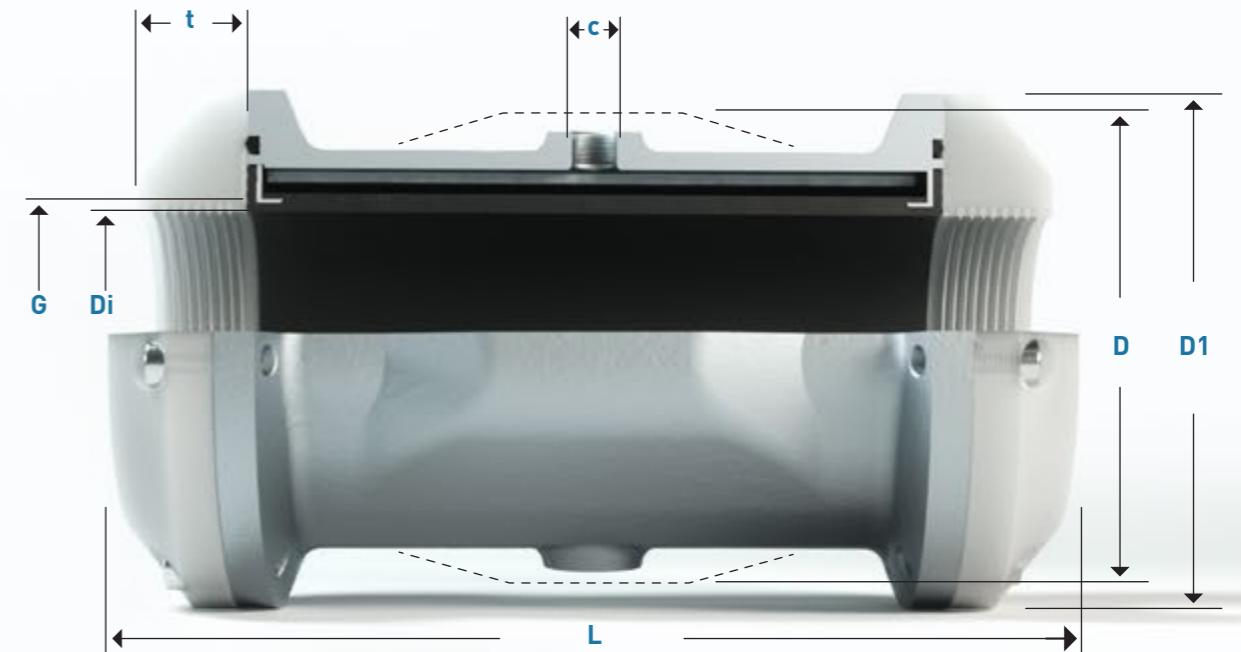
aluminium casting G-Al Si 7 Mg, powder-coated silver grey

Special versions on request

Assembly videos, service instructions,  
 spare parts, conformities etc. see: [ho-matic.ch/downloads](http://ho-matic.ch/downloads)



## Dimensions



DN	Di	G	t	D	D1	L	c	Vol. l'	kg
50	50	G 2"	25	100	112	215	G ¼"	0,22	2,10
65	65	G 2½"	27,5	124	134	240	G ¼"	0,49	2,80
80	80	G 3"	32,5	152	154	290	G ¼"	0,95	4,20

Vol. l' - Control volume for closed valve

## Article number

Series	DN	Sleeve   Quality								Version
		NR	NR-L	NR-LH	NBR-LH	EPDM-L	FPM	CR	CSM	Standard
40	050.	001.	011.	021.	121.	211.	301.	401.	501.	000
	065.	ATEX-Versions:				NR-E	NR-LE	NBR-LE	EPDM-LE	ATEX
	080.	031.	061.	161.	261.	022				

## Example orders

Valve complete: 40065.001.000 | Sleeve: 4065.001.000 | Spare part:

## Control | Accessories

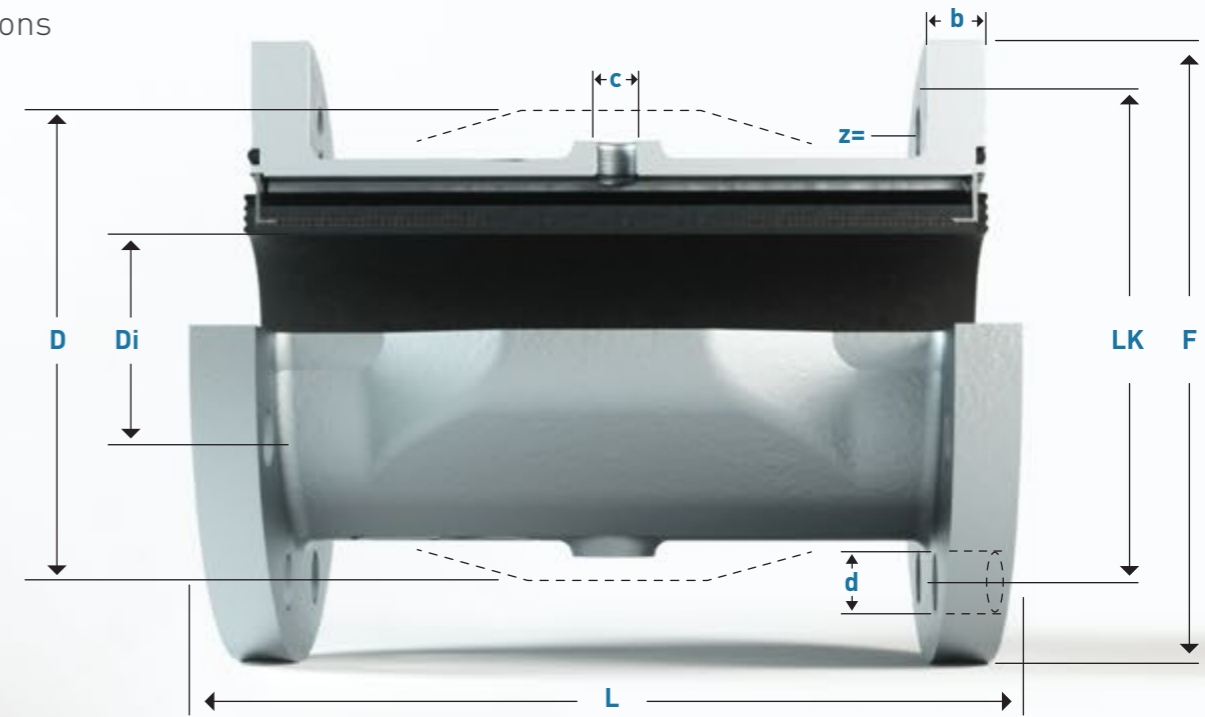


# SERIES 41

Nominal widths: **DN50, 65, 80, 100, 125, 155, acc. DIN PN 10/16**  
 Especially suitable for: **abrasive and delicate products**



## Dimensions



DN	Di	D	L	F	LK	d	z	b	c	Vol. l'	kg
50	50	100	165	165	125	18	4	17	G 1/4"	0,22	2,50
65	65	124	185	185	145	18	4	17	G 1/4"	0,49	3,30
80	80	152	225	200	160	18	8	18	G 1/4"	0,95	4,50
100	100	186	280	220	180	18	8	20	G 3/8"	1,80	6,60
125	125	230	350	250	210	18	8	22	G 3/8"	3,30	11,50
155	150	270	420	285	240	22	8	24	G 3/8"	6,40	17,00

Vol. l' - Control volume for closed valve

## Material specifications

**Sleeve**  
as selected

**O-Ring**  
nitrile rubber NBR

**Housing** (not in contact with medium)  
aluminium casting G-Al Si 7 Mg, powder-coated silver grey



## Article number

Series	DN	Sleeve   Quality								Version
		NR	NR-L	NR-LH	NBR-LH	EPDM-L	FPM	CR	CSM	Standard
41	050.	001.	011.	021.	121.	201.	301.	401.	501.	000
	065.									
	080.									
	100.									
	125.									
150.	ATEX-Versions:				NR-E	NR-LE	NBR-LE	EPDM-LE	ATEX	
					031.	061.	161.	261.	022	

## Example orders

**Valve complete:** 41080.001.000 | **Sleeve:** 4080.001.000 | **Spare part:**

## Control | Accessories



Special versions on request

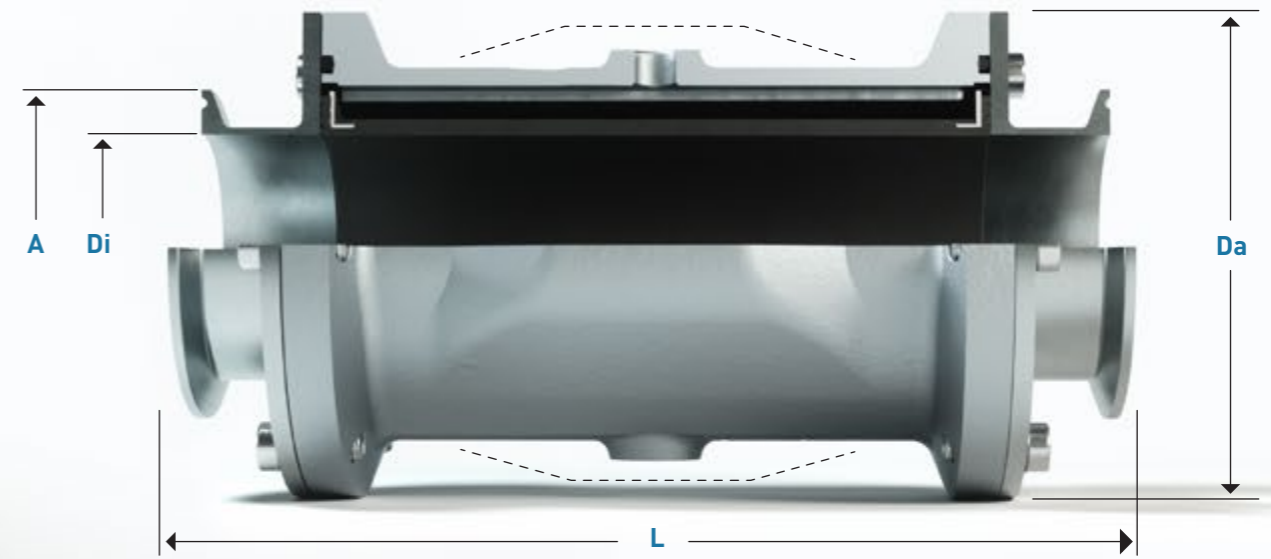
Assembly videos, service instructions, spare parts, conformities etc. see: [ho-matic.ch/downloads](http://ho-matic.ch/downloads)

# SERIES 48

Nominal widths: **2", 2½", 3", DIN 32676 Series A**  
 Especially suitable for: **abrasive and delicate products**



## Dimensions



DN	Di	A	L	Da	Vol. l'	kg
50	50 / 2"	64	216	112	0,22	2,70
65	65 / 2½"	91	250	134	0,49	3,40
80	80 / 3"	106	291	154	0,95	4,80

Vol. l' - Control volume for closed valve

## Material specifications

**Screws**  
Stainless steel A4

**Tri-Clamp**  
Stainless steel 1.4404 (DIN 32676, series A)

**Sleeve**  
as selected

**O-Ring**  
nitrile rubber NBR

**Housing** (not in contact with medium)  
aluminium casting G-Al Si 7 Mg, powder-coated silver grey

Special versions on request

Assembly videos, service instructions, spare parts, conformities etc. see: [ho-matic.ch/downloads](http://ho-matic.ch/downloads)



## Article number

Series	DN	Sleeve   Quality							Version	
		NR	NR-L	NR-LH	NBR-LH	EPDM-L	FPM	CR	CSM	Standard
48	050.	001.	011.	021.	121.	211.	301.	401.	501.	000
	065.	ATEX-Versions:				NR-E	NR-LE	NBR-LE	EPDM-LE	ATEX
	080.					031.	061.	161.	261.	022

## Example orders

Valve complete: 48065.211.000 | Sleeve: 4065.211.000 | Spare parts:

## Control | Accessories

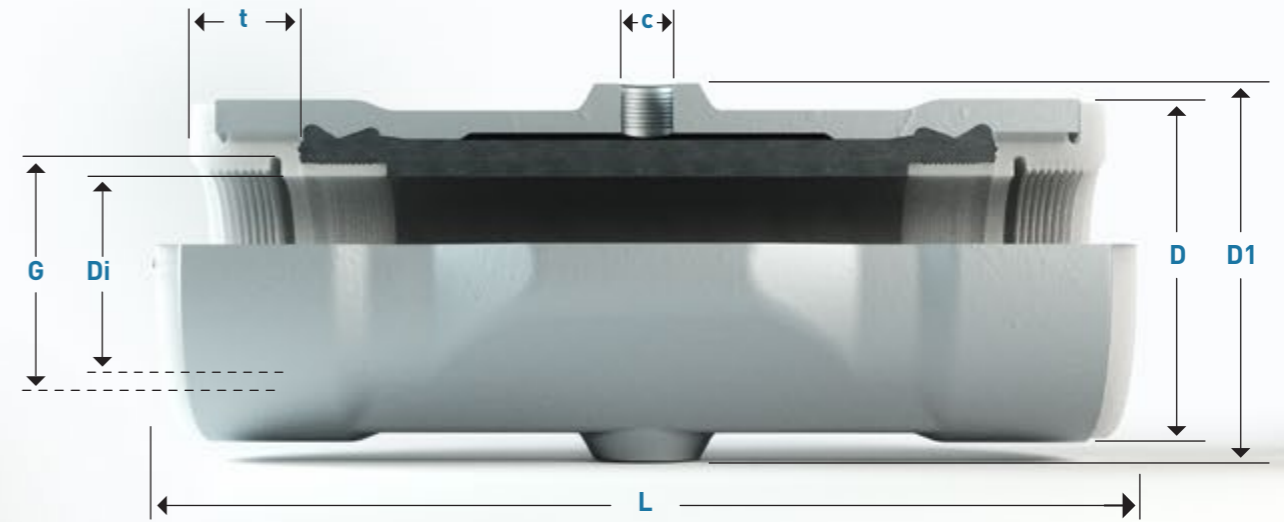


# SERIES 50

Nominal widths: **G 1½", 2", 2½"**  
 Especially suitable for: **railroad industry and apparatus engineering**



## Dimensions



DN	Di	G	t	D	D1	L	c	Vol. l'	kg
40	40	G 1½"	20	75	86	200	G ¼"	0,13	1,00
50	50	G 2"	22	89	98	213	G ¼"	0,24	1,50
65	65	G 2½"	24	110	122	248	G ¼"	0,53	2,30

Vol. l' - Control volume for closed valve

## Material specifications

**Threaded ring**  
 POM plastic (polyoxymethylene), natural white

**Clamping ring**  
 POM plastic (polyoxymethylene), natural white

**Sleeve**  
 as selected

**Housing** (not in contact with medium)  
 aluminium casting G-Al Si 7 Mg, powder-coated silver grey



Special versions on request

Assembly videos, service instructions, spare parts, conformities etc. see: [ho-matic.ch/downloads](http://ho-matic.ch/downloads)

## Article number

Series	DN	Sleeve   Quality								Version
		NR	NR-L	NR-LH	NBR-LH	EPDM-L	FPM	CR	CSM	Standard
50	040.	000.	010.	020.	120.	212.	303.	400.	500.	000
	050.									
	065.									

## Example orders

**Valve complete:** 50040.000.000 | **Sleeve:** 5040.000.000 | **Spare parts:**

## Control | Accessories



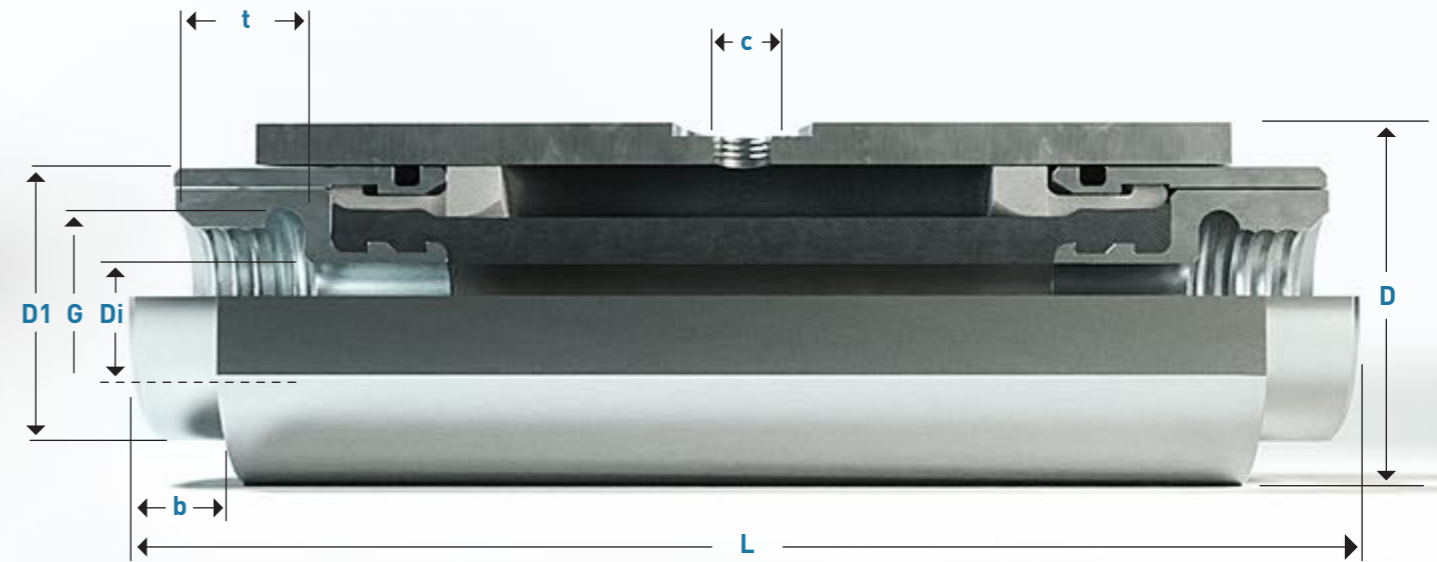
# SERIES 60

Nominal widths: **G 1/4"**

Especially suitable for: **medical engineering and microdosing**



## Dimensions



DN	Di	G	t	D	D1	L	b	c	Vol. l <sup>1</sup>	kg
06	6	G 1/4"	9,5	26	20	70	5	M5	0,01	0,16

Vol. l<sup>1</sup> - Control volume for closed valve

## Material specifications

**Screw connection**  
stainless steel 1.4404

**O-Ring**  
nitrile rubber NBR

**Sleeve**  
as selected

**Clamping cone**  
POM plastic (polyoxymethylene), natural white

**Housing** (not in contact with medium)  
stainless steel 1.4404



## Article number

Series	DN	Sleeve   Quality								Version
		NR	NR-L	NR-LH	NBR	EPDM-L	FPM	CR	CSM	Standard
60	006.	001.	011.	021.	121.	212.	303.	401.	501.	000

## Example orders

**Valve complete:** 60006.001.000 | **Sleeve:** 6006.001.000 | **Spare parts:**

## Control | Accessories



Special versions on request

Assembly videos, service instructions, spare parts, conformities etc. see: [ho-matic.ch/downloads](http://ho-matic.ch/downloads)

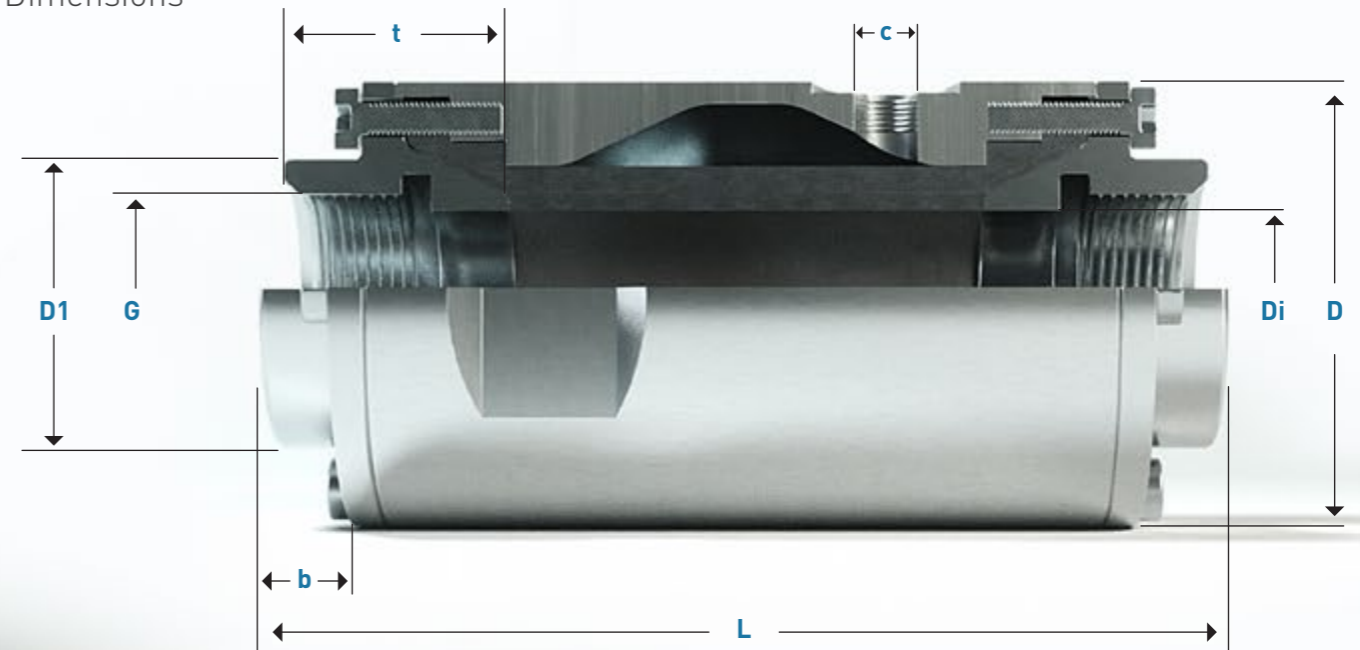


# SERIES 70

Nominal widths: **G 3/8", 1/2", 3/4", 1", 1 1/4", 1 1/2", 2", 2 1/2"**  
 Especially suitable for: **pharmaceutical, chemical and food industry**



## Dimensions



DN	Di	G	t	D	D1	L	c	Vol. l'	kg
10	10	G 3/8"	12	38	22	80	M5	0,03	0,40
15	15	G 1/2"	14	44	27	95	G 1/8"	0,04	0,60
20	20	G 3/4"	17	55	34	110	G 1/8"	0,05	0,80
25	25	G 1"	20	60	39	125	G 1/8"	0,07	1,10
32	32	G 1 1/4"	20	73	50	140	G 1/8"	0,10	1,70
40	40	G 1 1/2"	20	83	58	150	G 1/8"	0,13	2,20
50	50	G 2"	25	99	70	185	G 1/4"	0,28	3,70
65	65	G 2 1/2"	28	119	86	230	G 1/4"	0,49	6,30

Vol. l' - Control volume for closed valve

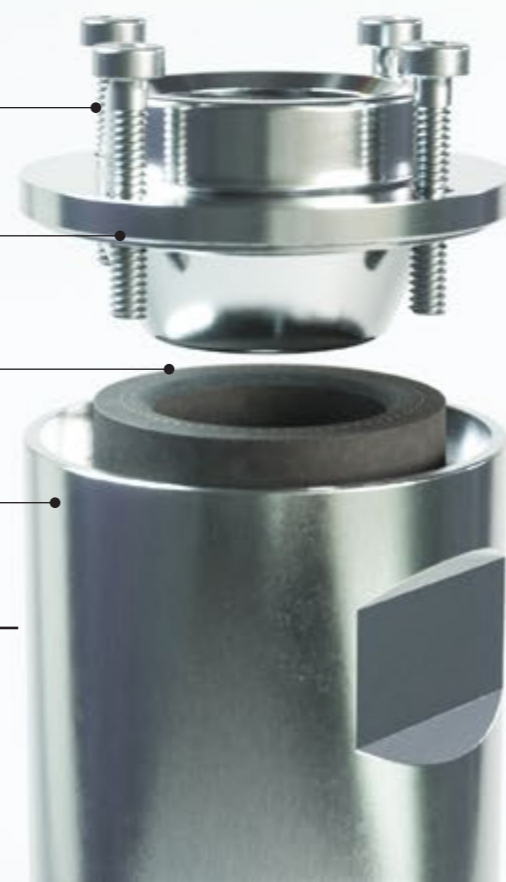
## Material specifications

**Screws**  
Stainless steel A4

**Threaded cover**  
Stainless steel 1.4404

**Sleeve**  
as selected

**Housing** (not in contact with medium)  
stainless steel 1.4404



Special versions on request

Assembly videos, service instructions, spare parts, conformities etc. see: [ho-matic.ch/downloads](http://ho-matic.ch/downloads)

## Article number

Series	DN	Sleeve   Quality							Version	
		NR	NR-L	NR-LH	NBR-LH	EPDM-L	FPM	CR	CSM	Standard
70	010.	001.	011.	021.	121.	212.	303.	401.	501.	000
	015.									
	020.									
	025.									
	032.									
	040.									
	050.									
065.										
ATEX-Versions:						NR-E	NR-LE	NBR-LE	EPDM-LE	ATEX
		031.	061.	161.	262.	000				

## Example orders

Valve complete: 70040.001.000 | Sleeve: 7040.001.000 | Spare parts:

## Control | Accessories

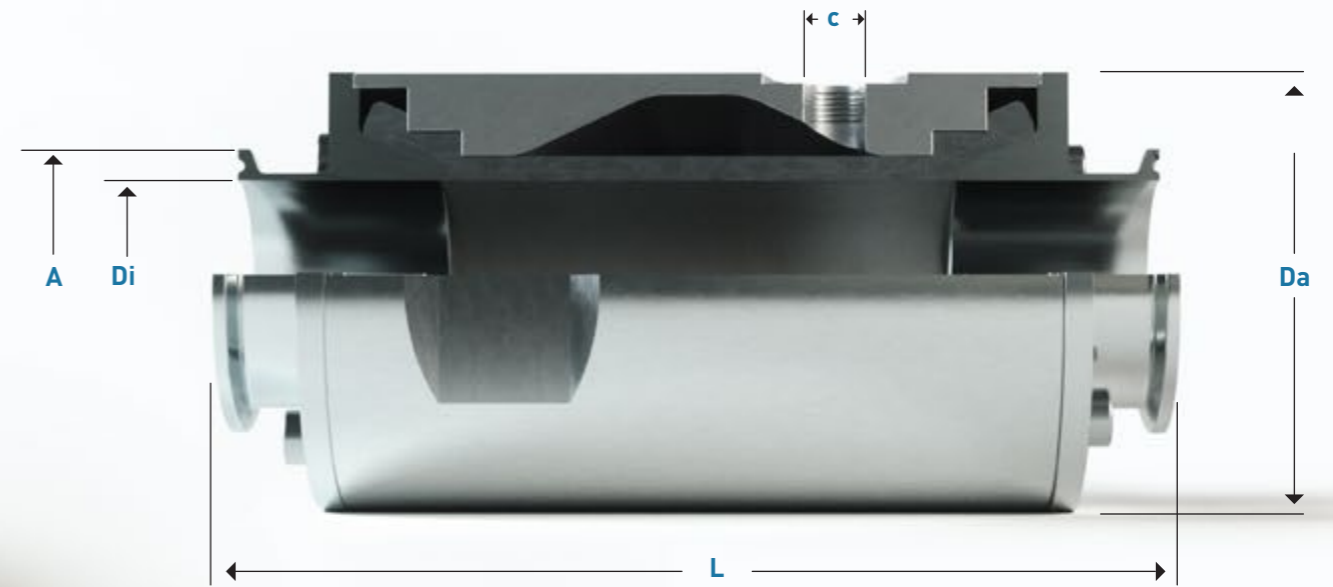


# SERIES 78

Nominal widths: **Tri-Clamp 1/2", 3/4", 1", 1 1/4", 1 1/2", 2", DIN 32676 Serie**  
 Especially suitable for: **pharmaceutical, chemical and food industry**



## Dimensions



DN	Di	A	L	Da	c	Vol. l'	kg
15	16 / 1/2"	34	136,2	44	G 1/8"	0,04	0,60
20	20 / 3/4"	34	146,2	55	G 1/8"	0,05	0,95
25	26 / 1"	50,5	174,6	60	G 1/8"	0,07	1,25
32	32 / 1 1/4"	50,5	159	73	G 1/8"	0,10	1,85
40	38 / 1 1/2"	50,5	168	83	G 1/8"	0,13	2,25
50	50 / 2"	64	202	99	G 1/4"	0,28	3,70

Vol. l' - Control volume for closed valve

## Material specifications

**Screws**  
Stainless steel A4

**Tri-Clamp**  
stainless steel 1.4404

**Sleeve**  
as selected

**Housing** (not in contact with medium)  
stainless steel 1.4404



Special versions on request

Assembly videos, service instructions, spare parts, conformities etc. see: [ho-matic.ch/downloads](http://ho-matic.ch/downloads)

## Article number

Series	DN	Sleeve   Quality							Version	
		NR	NR-L	NR-LH	NBR-LH	EPDM-L	FPM	CR	CSM	Standard
78	015.	001.	011.	021.	121.	212.	303.	401.	501.	000
	020.									
	025.									
	032.									
	040.									
050.	ATEX-Versions:				NR-E	NR-LE	NBR-LE	EPDM-LE	ATEX	
					031.	061.	161.	262.	000	

## Example orders

Valve complete: 78040.001.000 | Sleeve: 7050.001.000 | Spare parts:

## Control | Accessories





# SERIES 80

Nominal widths: **G 3/8", 1/2", 3/4", 1", 1 1/4", 1 1/2", 2"**  
 Especially suitable for: **customer specific applications**



## Material specifications

**Screws**  
galvanized steel / stainless steel A4

**Threaded cover**  
as selected:  

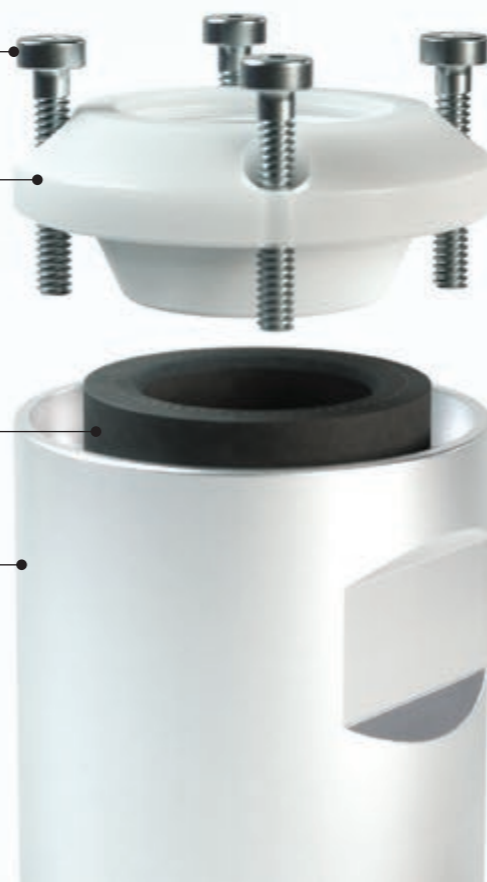
- plastic POM, natural white
- plastic POM-ELS, conductible, black
- aluminium, colourless anodised
- stainless steel 1.4404

**Sleeve**  
as selected

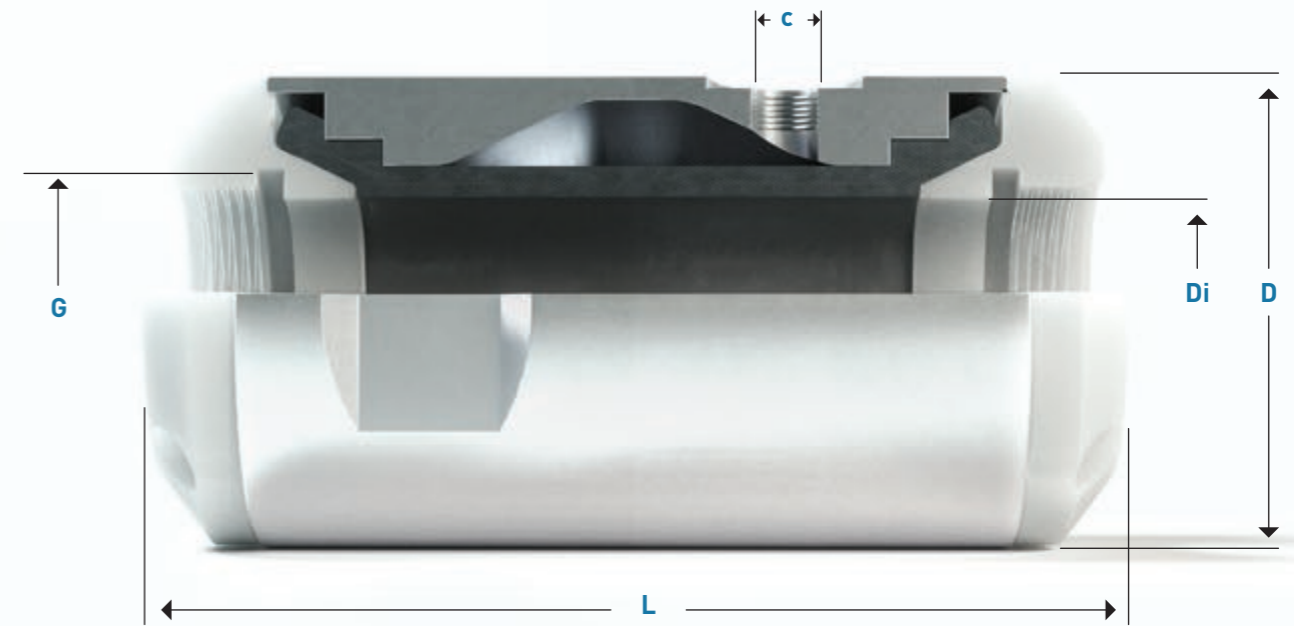
**Housing** (not in contact with medium)  
Aluminium alloy 6026, colourless anodised

Special versions on request

Assembly videos, service instructions, spare parts, conformities etc. see: [ho-matic.ch/downloads](http://ho-matic.ch/downloads)



## Dimensions



DN	Di	G	t	D	L	c	Vol. l'	kg
10	10	G 3/8"	12	38	80	M5	0,03	0,14
15	15	G 1/2"	14	44	95	G 1/8"	0,04	0,22
20	20	G 3/4"	17	55	110	G 1/8"	0,05	0,37
25	25	G 1"	20	60	125	G 1/8"	0,07	0,46
32	32	G 1 1/4"	20	73	140	G 1/8"	0,10	0,71
40	40	G 1 1/2"	20	83	150	G 1/8"	0,13	0,89
50	50	G 2"	25	99	185	G 1/4"	0,28	1,49

Vol. l' - Control volume for closed valve

## Article number

Series	DN	Sleeve   Quality							Version	
		NR	NR-L	NR-LH	NBR-LH	EPDM-L	FPM	CR	CSM	Standard
80	010.	001.	011.	021.	121.	212.	303.	401.	501.	000
	015.									Alu
	020.									082
	025.									1.4404
	032.									083
	040.									
	050.									
ATEX-Versions:						NR-E	NR-LE	NBR-LE	EPDM-LE	ATEX
						031.	061.	161.	262.	081

## Example orders

Valve complete: 80032.001.000 | Sleeve: 8032.001.000 | Spare parts:

## Control | Accessories



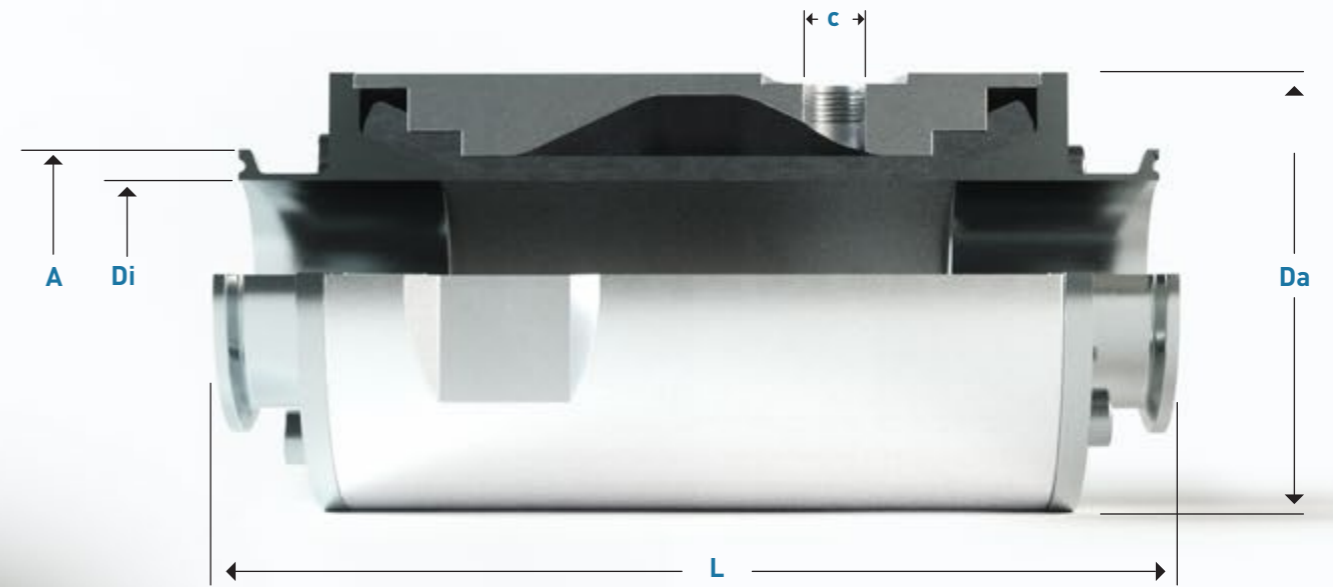
# SERIES 88

Nominal widths: **Tri-Clamp 1/2", 3/4", 1", 1 1/4", 1 1/2", 2", DIN 32676 series A**

Especially suitable for: **Food and Beverages**



## Dimensions



DN	Di	A	L	Da	c	Vol. l'	kg
15	16 / 1/2"	34	136,2	44	G 1/8"	0,04	0,40
20	20 / 3/4"	34	146,2	55	G 1/8"	0,05	0,55
25	26 / 1"	50,5	174,6	60	G 1/8"	0,07	0,85
32	32 / 1 1/4"	50,5	159	73	G 1/8"	0,10	1,15
40	38 / 1 1/2"	50,5	168	83	G 1/8"	0,13	1,45
50	50 / 2"	64	202	99	G 1/4"	0,28	2,40

Vol. l' - Control volume for closed valve

## Material specifications

**Screws**  
Stainless steel A4

**Tri-Clamp**  
Stainless steel 1.4404

**Sleeve**  
as selected

**Housing** (not in contact with medium)  
aluminium alloy 6026, colourless anodised



Special versions on request

Assembly videos, service instructions, spare parts, conformities etc. see: [ho-matic.ch/downloads](http://ho-matic.ch/downloads)

## Article number

Series	DN	Sleeve   Quality							Version	
		NR	NR-L	NR-LH	NBR-LH	EPDM-L	FPM	CR	CSM	Standard
88	015.	001.	011.	021.	121.	212.	303.	401.	501.	000
	020.									
	025.									
	032.									
	040.									
050.	ATEX-Versions:				NR-E	NR-LE	NBR-LE	EPDM-LE	ATEX	
										000

## Example orders

**Valve complete:** 88040.212.000 | **Sleeve:** 8040.212.000 | **Spare parts:**

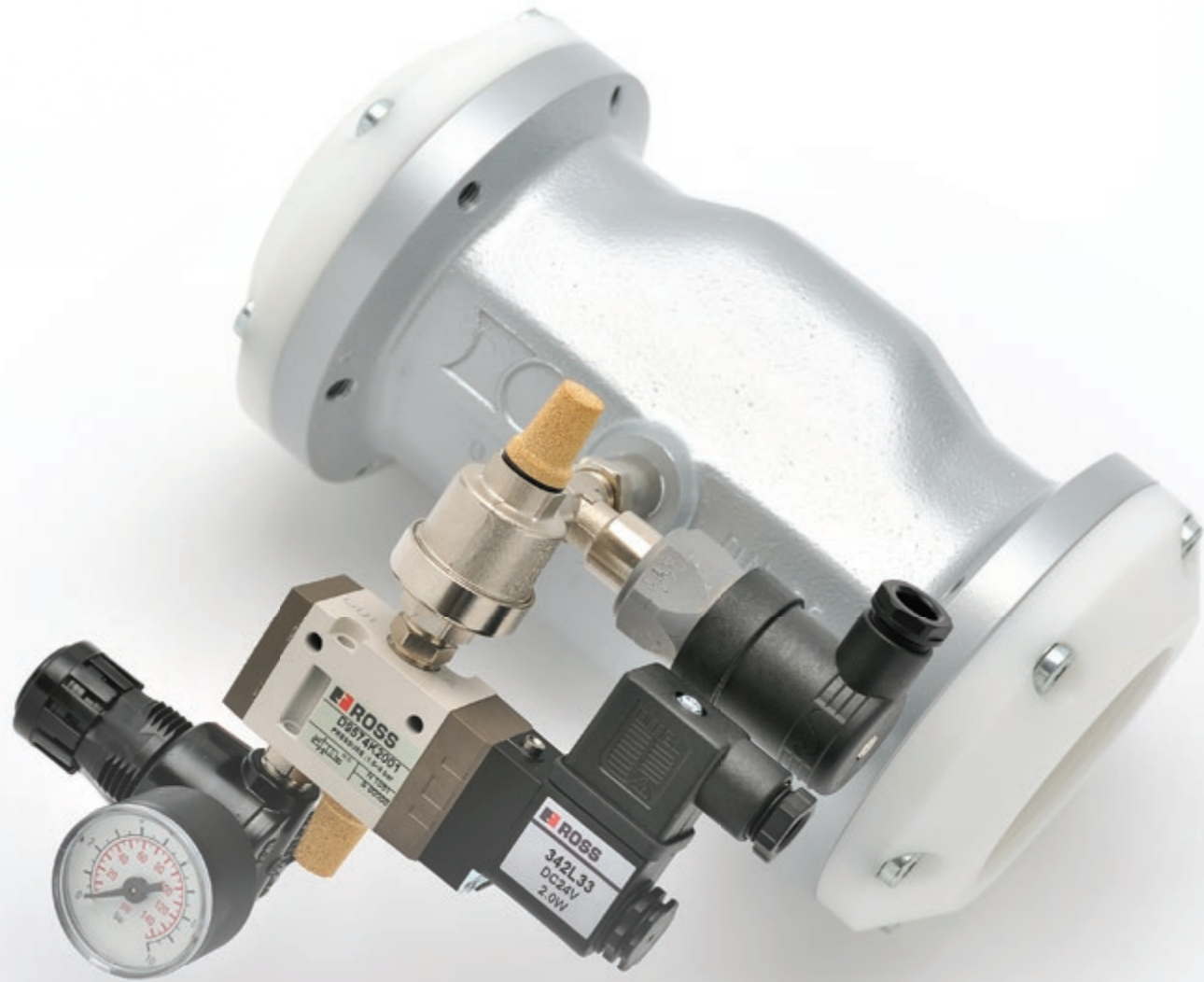
## Control | Accessories



# Triggering

Available in single components or as compact unit directly mounted on pinch valves.  
We offer the suitable control solution **for all applications**: standard or ATEX

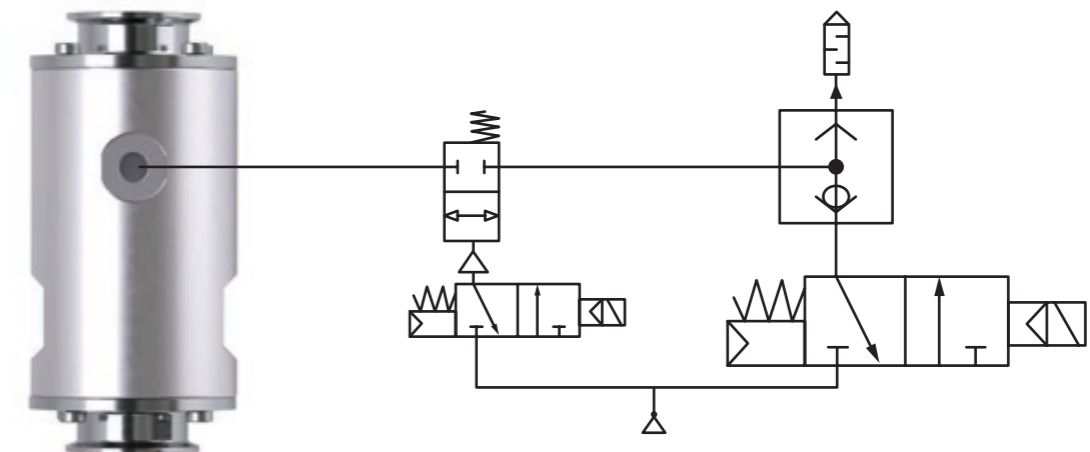
www.ho-matic.ch



<p>Diaphragm pressure switch 0-10 bar   max 250V   ATEX 3D Zone 22</p>	<p>HO-VAC 100% sleeve opening</p>	<p>Pressure microregulator 0,5-10 bar   ATEX zone 1, 21, 2, 22</p>
<p>Diaphragm pressure switch 1-10 bar (+/-0.5)   max 250V</p>	<p>Assembly accessories various executions</p>	<p>Quick exhaust valve protection from contamination</p>
<p>ATEX 3/2 way solenoid valve NC   NO   24V   230V   ATEX Zone 1, 21, 2, 22</p>	<p>3/2 way solenoid valve NC   NO   24V   230V</p>	<p>5/2 way solenoid valve NC   NO   24V   230V</p>

## Possible solution: safety control

To prevent the valve from opening in the event of a pressure or power failure, the safety control Q-10.0001 was created. The combination of a pilot operated check valve and two 3/2 solenoid directional valves enables this task. To open the pinch valve quickly, a quick exhaust valve was added.



**Further triggering and accessories on request**



## Installation and operating conditions for HOmatic Pinch Valves (Standard)

<b>Operating pressure</b>	max. 4 bar (medium pressure)
<b>Control pressure</b>	effective operating pressure + approx. 2.5 bar (closing pressure). If the control or closing pressure is too high, this will impair the service life of the sleeve. The pressure must not be greater than the required 2-2.5 bar above the operating pressure.
<b>Differential pressure</b>	control pressure minus operating pressure, max. 2-2.5 bar; dependent on the rated size and the sleeve quality.
<b>Control medium</b>	compressed air, neutral gases, water, (oil on request).
<b>Switching time</b>	depends on triggering and valve nominal width (guideline values on request).
<b>Temperature range</b>	each sleeve quality has its own specific temperature range (see "our pinch valve" technical data). Permitted ambient temperature from -20°C to +50°C.
<b>Mounting position</b>	any, with bulk goods preferably vertical. If mounted horizontally, align the control connections upwards.
<b>Function</b>	HOmatic pinch valves are pressure-controlled valves. If there is no control pressure, they are open! The valves close if control pressure is applied.
<b>Closing feature</b>	HOmatic pinch valves seal gaseous, liquid, pasty and powdery media. The highly elastic sleeve surrounds any solids. A gas-tight seal cannot be guaranteed if the flow medium consists mainly of coarse particles.
<b>Valve failure</b>	the sleeve is naturally subject to wear. A defective valve will not close properly. This fact must be taken into account when planning an installation or when pinch valves are used.
<b>Maintenance</b>	HOmatic pinch valves are maintenance-free.
<b>Triggering</b>	we recommend that a quick-acting ventilation valve is installed directly at the control connection. This will enable the pinch valve to open quickly and independently of the size and the distance of the pilot valve.
<b>Vacuum use</b>	If the pinch valve is used in a suction pipe with negative pressure greater than 0.1 bar, pressure compensation should be generated on the control side. This is done by connecting the vacuum pump to the ventilation port of the pilot valve.
<b>Service</b>	the sleeves of HOmatic pinch valves can be replaced without special tools (exception series 50) as shown in our instructions.



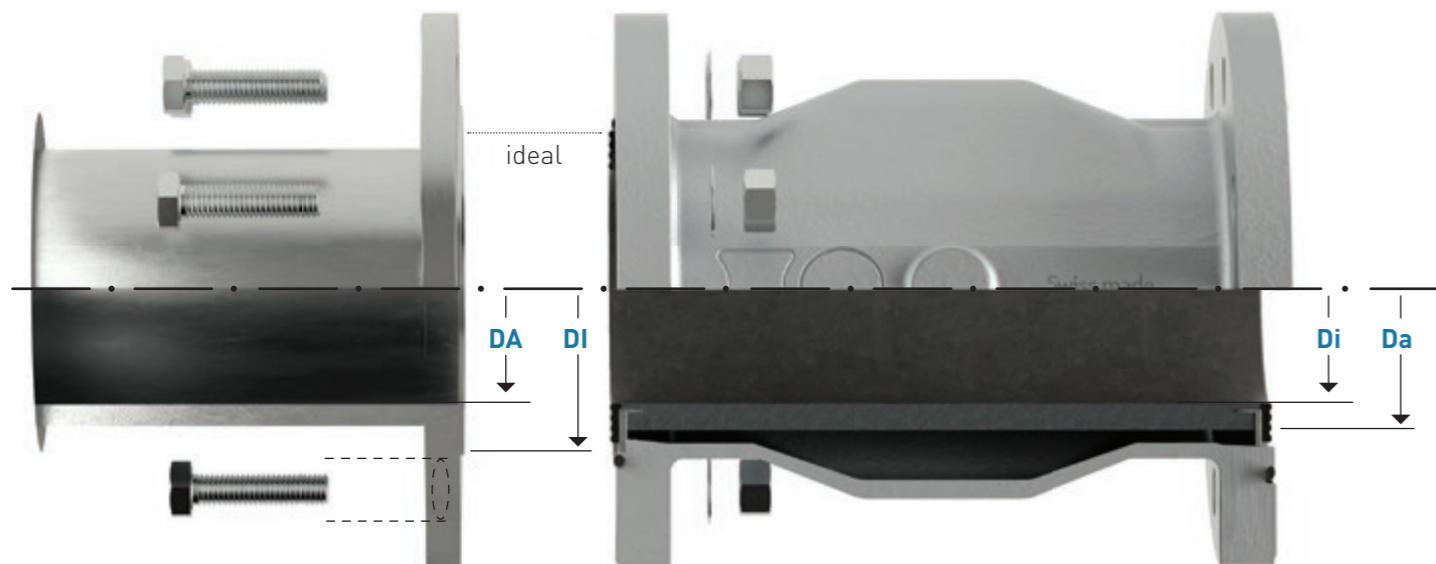
# Mounting instructions for HOmatic QSV pinch valves, series 41

**Principle of the design** The construction of the QSV pinch valve with a flanged connection is based on an «open design», i. e. without the corresponding mounting flanges the valve is not ready for operation. The control space is not closed off so that the pinch valve cannot be operated until after mounting of two flanges.

**Sealing principle** There are two sealing points per side on the QSV pinch valve: the first is the O-ring sealing and the second is the sealing surface of the sleeve. These two positions are covered with suitable mounting flanges and the valve control space and the installation line are sealed against the outside!

To ensure that the QSV pinch valve functions perfectly, please note the following when selecting the mounting flanges:

- Criteria**
- The sealing face of the flange used must be clean, free of indentations and flat
  - The sealing face must cover the two above mentioned sealing points at the QSV pinch valve completely or at least partially at the sleeve, see sketch 1 and the dimensions table.
  - Flanges must be installed flush.



sketch 1

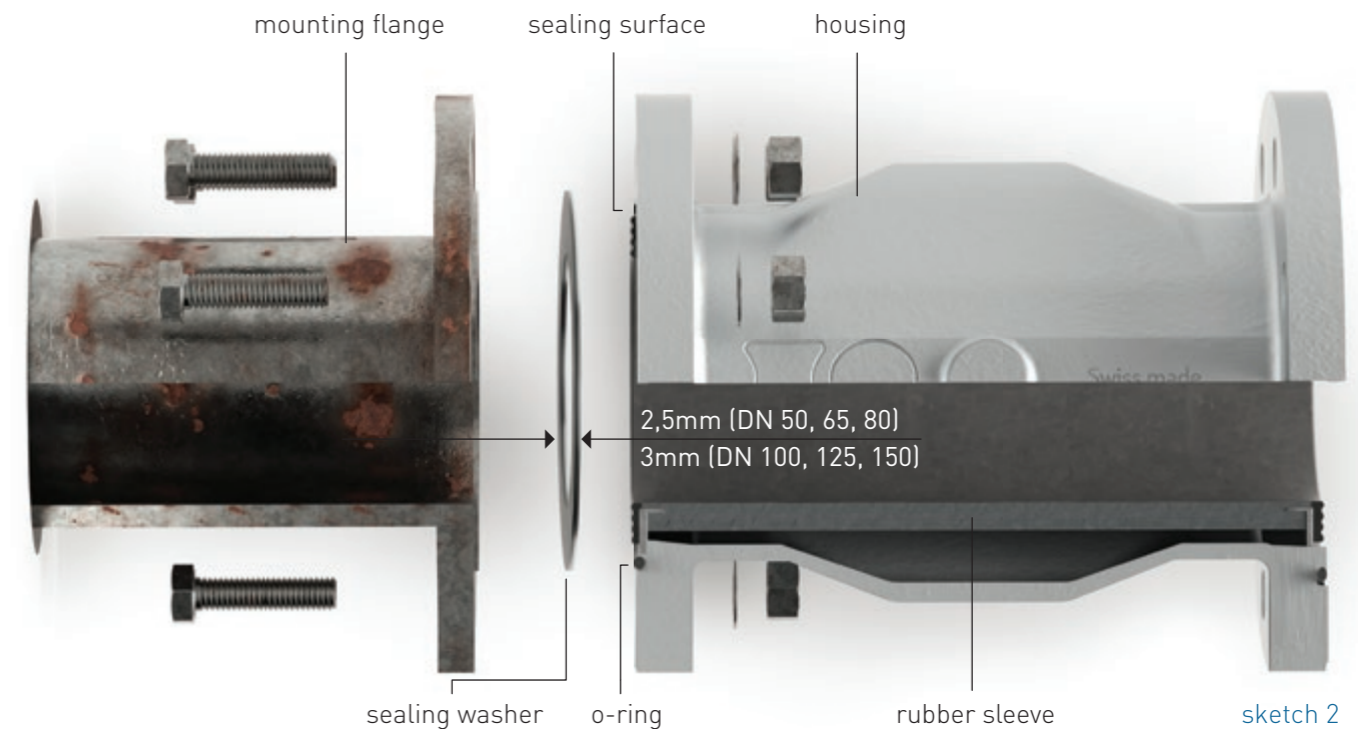
Required inside/outside  $\emptyset$  at mounting flanges in the sealing area of the QSV pinch valve

	valve side		flange side	
	Di	Da	DI max	DA min
<b>DN 50</b>	50	66	58	97
<b>DN 65</b>	65	83	74	115
<b>DN 80</b>	80	101	90	135
<b>DN 100</b>	100	124	112	158
<b>DN 125</b>	125	154	139	188
<b>DN 150</b>	150	180	165	215

Criteria for measure counterflange, example QSV 65: DI max. 74, Da min. 115

**Alternative** We can supply a special sealing washer for flanges which do not fulfil the above criteria.

However, please note that the installation length of the QSV pinch valve is then extended by the thickness of two washers, see sketch 2.



sketch 2

# Installation and operating conditions for the use in ex-zones pursuant to ATEX directive 2014/34/EU



## ATEX compliant HOmatic pinch valves

HOmatic pinch valves of the series 40, 41, 48, 70, 78, 80, 88 are also available in an electrically conductive version and can be used with the appropriate grounding in the Ex zones 0, 1, 2, 20, 21, 22 according to directive 2014/34/EU.

## Intended use

The delivered pinch valve (with a blue-silver-black ATEX-sticker on the valve, see picture) is designed and produced so that there are no potential sources of ignition.

The materials used are chosen so that a possible static charge is diverted. The earth of the pinch valve is to be ensured either via the line in which the pinch valve is mounted or separately through one of the screws on the valve housing/flange during assembly.

As there are no sources for ignition, the pinch valves may inserted into the ex-zones 0, 1, 2, 20, 21, 22, pursuant to ATEX directive 2014/34/EU. If the pinch valves are operated using electrical control elements, which are located in the afore-mentioned ex-zones, it is to be ensured that these elements meet the requirements of the ATEX directive 2014/34/EU.

## Max. Temperature

The maximum allowable temperature for rubber sleeves for use in ATEX zones are 20 °C lower than in a standard application.

## Rubber sleeve

The rubber sleeve is naturally subject to wear and aging.

If the pinch valves are used in potentially explosive areas of the ex-zones, the rubber sleeve must be checked at regular intervals for proper function and wear and replaced if necessary.

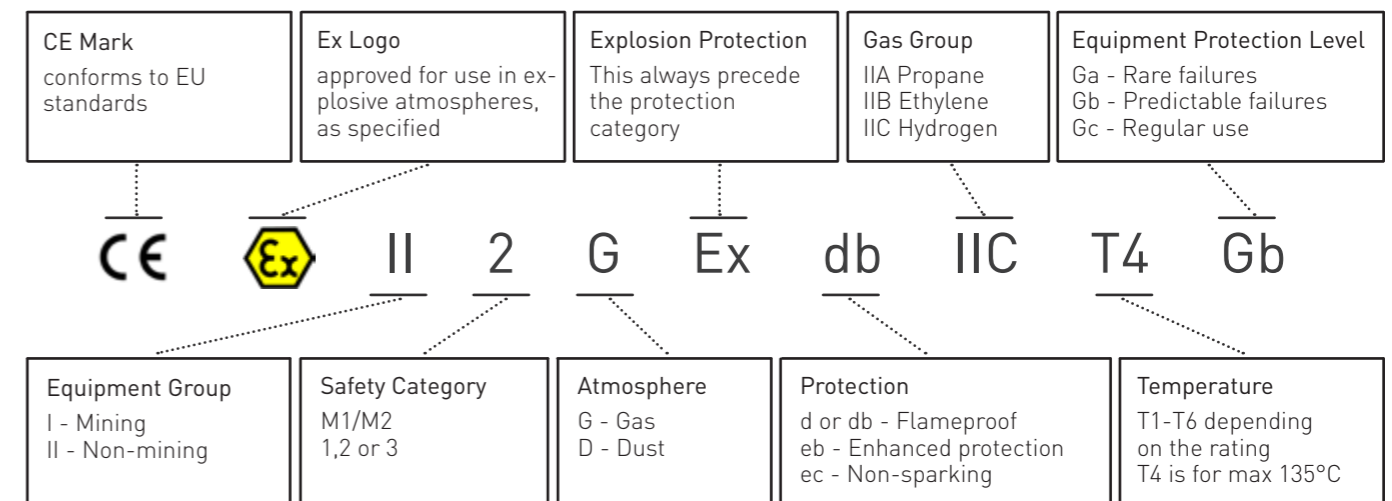
## Service

The rubber sleeves of HOmatic pinch valves can be replaced without special tools as shown in our instructions.

the selection of the materials, the electrical connections between the parts and the earth ensure that no sources of ignition exist.

only original spare parts of HO-Matic may be used in case of service work. The electrical connections between the various parts and the earth are to be ensured after the service work.

for all other installation and operating conditions refer to "Installation and Operating Conditions for Homatic Pinch Valves (Standard)"



# Overview

DN \ series	6	10	15	20	25	32	40	50	65	80	100	125	150			
00		—														
10			—													
20						—										
21						—										
40								—								
41								—								
48								—								
50							—									
60	—															
70		—														
78		—														
80		—														
88		—														

# Custom solutions

We also offer customized solutions for individual needs!



# Proven and high quality pinch valve solutions for over 45 years



over **3500 satisfied customers** in 153 countries



**best price/performance ratio**



long life, **energy saving design**,  
high-quality materials from proven sources



High level of expertise, thanks to **millions of units sold**



Innovative, **patented** and unique in service friendliness



Standard valves available from stock, **8000+ valve versions**



Fast delivery times thanks to **local manufacturing**

Офіційний представник HO-Matic в Україні:

**ТОВ «ІНЖЕНЕРНО-ПРОМИСЛОВА ГРУПА» (ТОВ «ІПГ»)**

Україна, 10031, м. Житомир, вул. Тараса Бульби-Боровця, 2, к.5

**+38 098 805 8805**

**+38 067 390 5572**

**info@epg.biz.ua**

**epg.biz.ua**



## Links



## Imprint

**HO-Matic AG**

Alte Obfelderstrasse 55

CH - 8910 Affoltern a.A.

+41 (0)43 322 70 80

info[@]ho-matic.ch

www.ho-matic.ch



