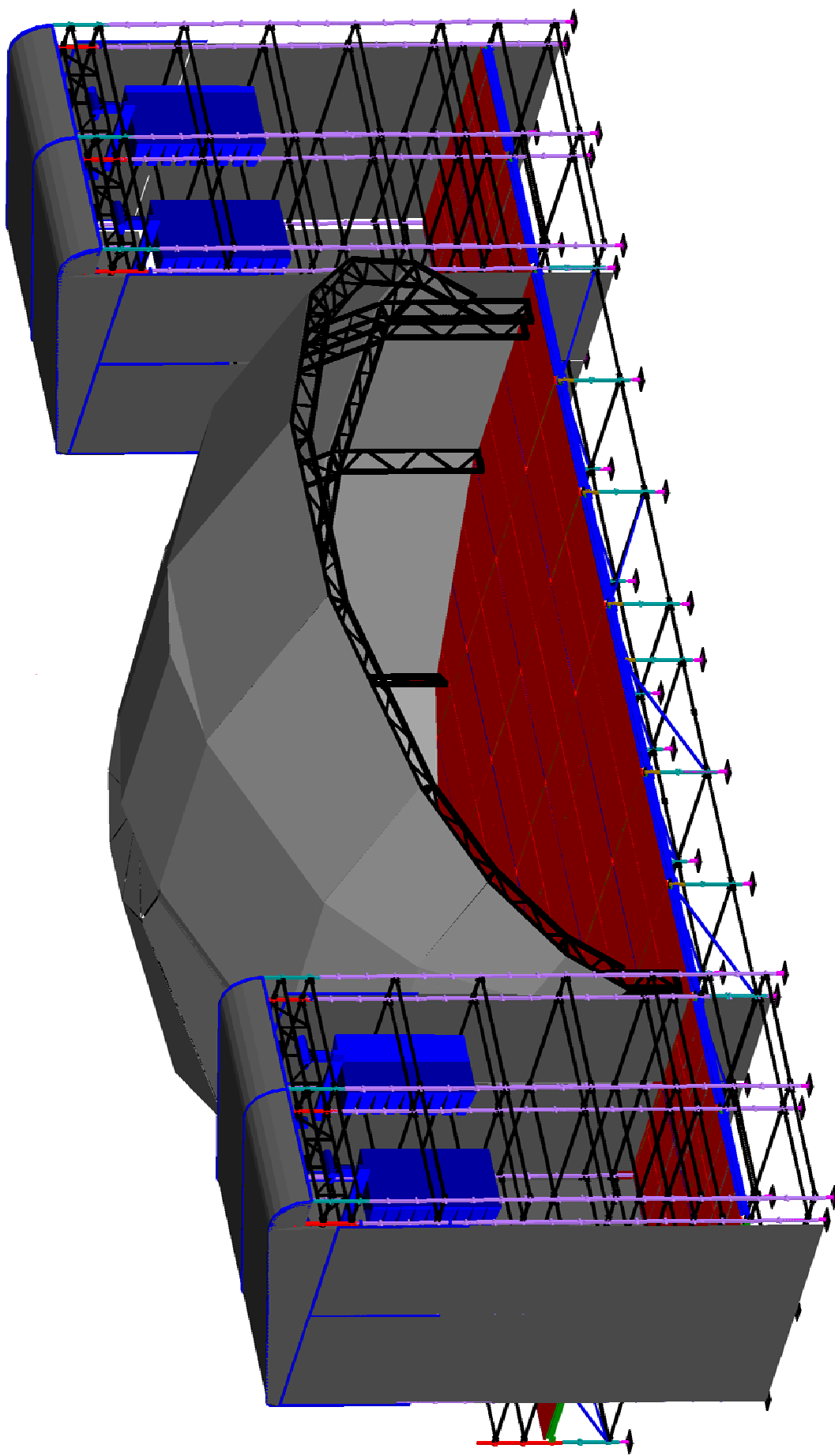


15m Orbit Stage Roof
1 Bay with Flown
PA Wings



trust events ltd
Whitnell House Farm, Binegar, Somerset, BA3 4UJ
Tel: +44 01749 841 720 Fax: 01749 841 721

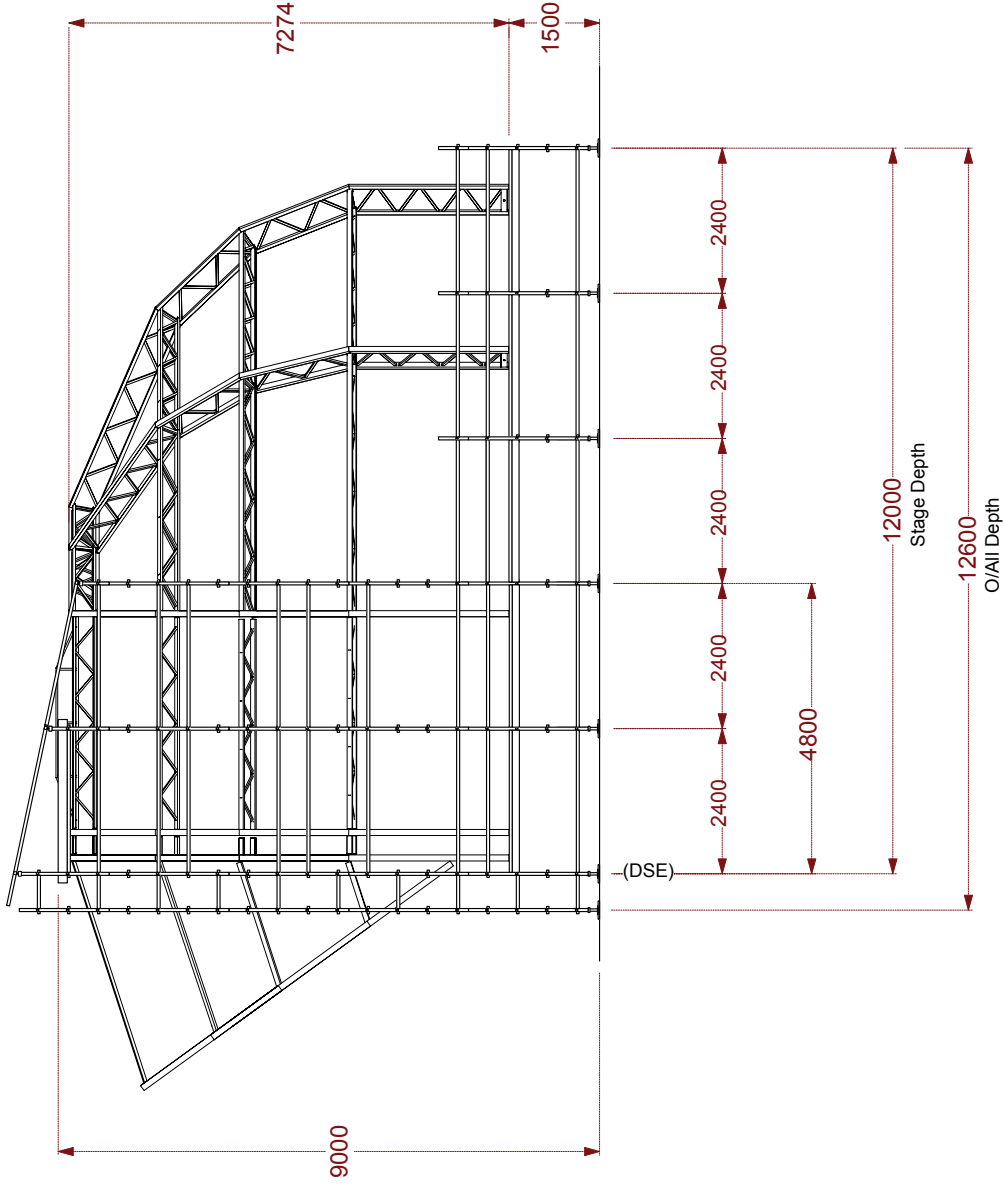
NOT FOR CONSTRUCTION

**15m Orbit Stage Roof
1 Bay with Flown
PA Wings.**

Notes:

This drawing is copyright and is issued on condition it is not copied or disclosed to any third party without the written consent of Trust Events Ltd.

Flown PA Wing
4.8m wide x 4.8m Deep
@ Stage height, FP 9.0m



Side Elevation

Client:	Site:
Drawn By: Phil Bess	Checked By: Lee Brookes
Drig Name: 15m - 1Bay - Flown	ABLE design & draughting
Drawing No: 11/1502/003	Tel: 017 907 8554 Mob: 07880 850 679
Date: 30.06.11	

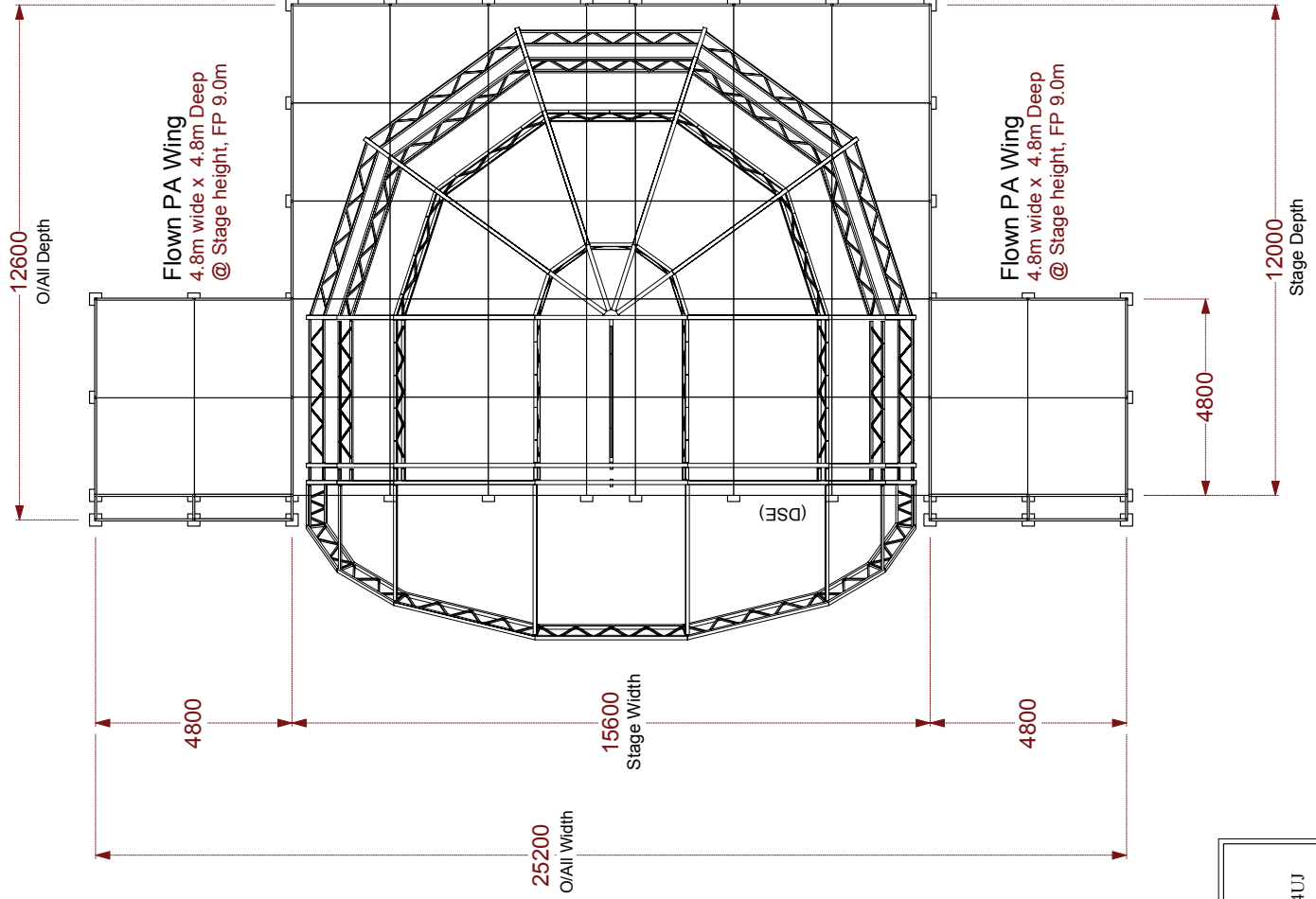
**15m Orbit Stage Roof
Cant + 1 x 3.6m bay + D-end
15.6m Wide x 12.0m Deep Stage @ 1.5m High**

TRUST EVENTS LTD
Whitnell House Farm, Binegar, Somerset, BA3 4UJ
Tel: +44 01749 841 720 Fax: 01749 841 721

Notes:

This drawing is copyright and is issued on condition it is not copied or disclosed to any third party without the written consent of Trust Events Ltd.

15m Orbit Stage Roof
1 Bay with Flown
PA Wings.



Plan View

15m Orbit Stage Roof
Cant + 1 x 3.6m bay + D-end
15.6m Wide x 12.0m Deep Stage @ 1.5m High

Client:

Site:

TRUST: EVENTS LTD

Whitnell House Farm, Binegar, Somerset, BA3 4UJ
Tel: +44 01749 841 720 Fax: 01749 841 721

Drawn By: Phil Bess

ABLE design & draughting
Tel: 0117 907 8854 Mob: 07889 856 679

Drawing No: 11/1502/003

Date: 30.06.11

Checked By: Lee Brookes

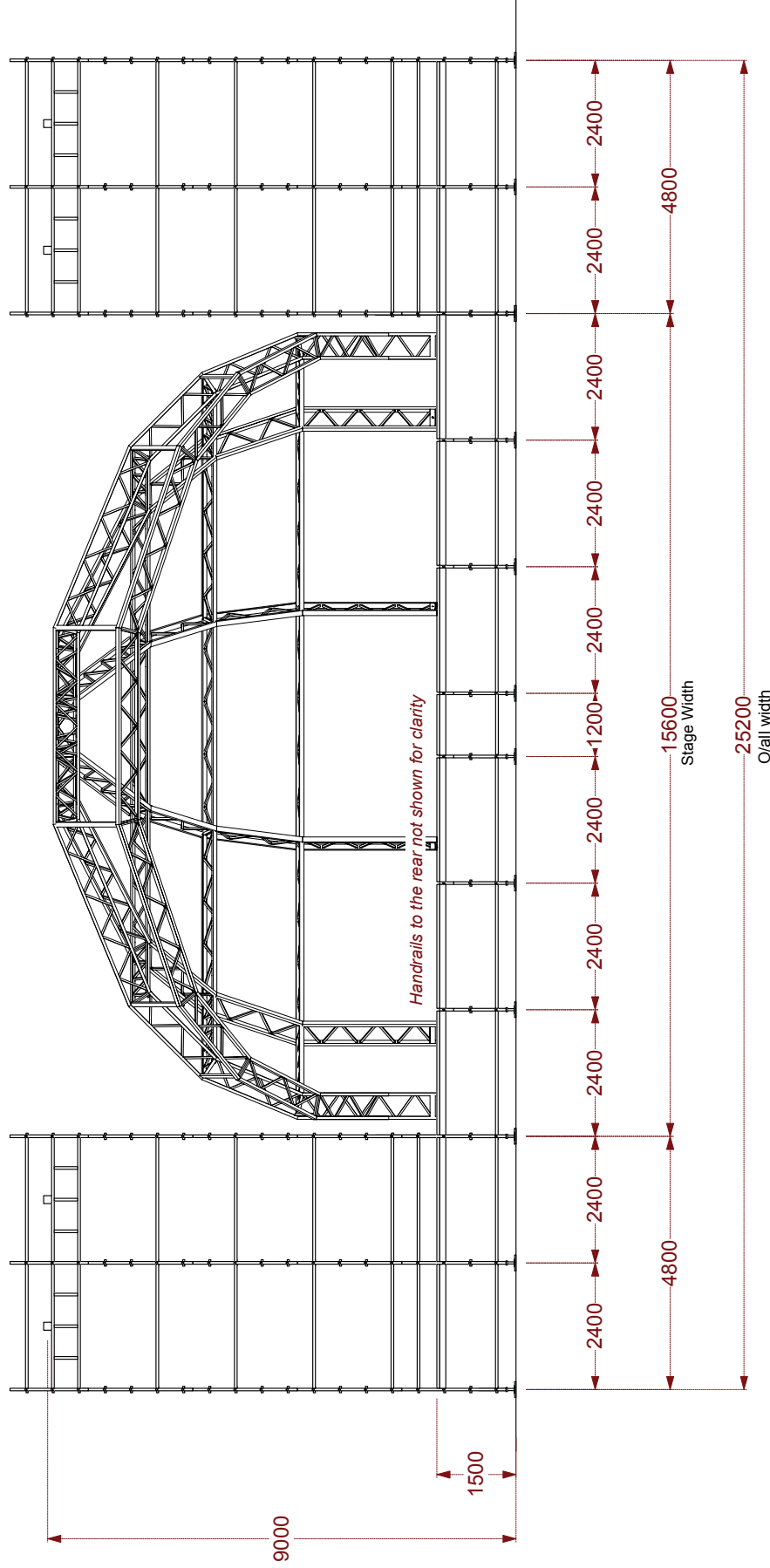
**15m Orbit Stage Roof
1 Bay with Flown
PA Wings.**

Notes:

Must be read in conjunction
with plan and Side elevations

This drawing is copyright and is
issued on condition it is not
copied or disclosed to any third
party without the written consent
of Trust Events Ltd.

Flown PA Wing
4.8m wide x 4.8m Deep
@ Stage height, FP 9.0m



Front Elevation

TRUST: EVENTS LTD
Whitnell House Farm, Binegar, Somerset, BA3 4UJ
Tel: +44 01749 841 720 Fax: 01749 841 721

**15m Orbit Stage Roof
Cant + 1 x 3.6m bay + D-end
15.6m Wide x 12.0m Deep Stage @ 1.5m High**

Client:	Site:
Drawn By: Phil Bess	Checked By: Lee Brookes
ABLE design & draughting	
Tel: 0117 907 8854 Mob: 07889 856 679	
Drg Name: 15m - 1Bay - Flown	
Drawing No: 11/1502/003	
Date: 30.06.11	